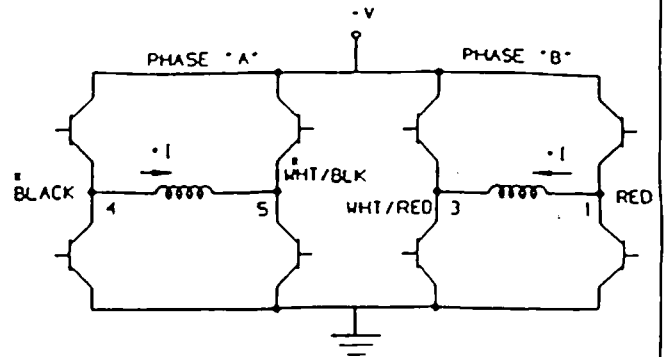


\* ALTERNATE COLORS PHASE PHASE  
 "A" GREEN FOR BLACK  
 WHITE/GREEN FOR WHITE/BLACK  
 FOR CW ROTATION AS VIEWED FROM  
 NAMEPLATE. STEP IN ORDER SHOWN  
 (1. 2. 3. 4. 1. ETC.)  
 FOR CCW ROTATION. STEP IN  
 IN REVERSE ORDER (1. 4. 3. 2. 1. ETC.)

FULL STEP (TWO PHASE ON) ENERGIZING SEQUENCE			HALF STEP PHASE ENERGIZING SEQUENCE			FULL STEP (ONE PHASE ON) ENERGIZING SEQUENCE		
PHASE			PHASE			PHASE		
STEP	A	B	STEP	A	B	STEP	A	B
1	+1	+1	1	+1	-1	1	+1	0
2	-1	-1	2	+1	0	2	0	-1
3	-1	-1	3	+1	-1	3	-1	0
4	-1	+1	4	0	-1	4	0	+1
1	+1	+1	5	-1	-1	1	-1	0
2	-1	-1	6	-1	0	2	0	-1
3	-1	-1	7	-1	+1	3	-1	0
4	-1	+1	8	0	+1	4	0	+1
1	+1	+1	1	+1	+1	1	+1	0



NOTES:  
 1. COLORS GIVEN CORRESPOND TO LEAD COLORS.  
 2. NUMBERS GIVEN CORRESPOND TO TERMINAL NUMBERS.  
 3. CONNECTORS WHOSE PINS ARE MARKED WITH A.B.C.D  
 CORRESPOND WITH 1.3.5.4.

C	77738-1	UPDATED TO NEW FORMAT.	SV	11-15-00	FJ
DWG REV	EC NUMBER	REVISION DESCRIPTION	DATE	APP'D	

PART REV AND DWG REV ARE CONTROLLED INDEPENDENTLY

UNLESS OTHERWISE SPECIFIED DIMENSIONS ARE IN INCHES TOLERANCE ON DECIMALS XX • 1.02 XXX • 1.005 ANGLES 11'	TITLE <b>WIRING DIAGRAM          SWITCHING          SEQUENCE</b>		Superior Electric 303 HIDDLE STREET BRISTOL, CT 06010	
	MATERIAL		SIZE <b>A</b>	<b>213803</b>
DRAWN SK APP'D	DATE 11-19-84	CAT. NO. 001130	SCALE NONE	FSCM NO. 58474 SHEET 1 OF 1