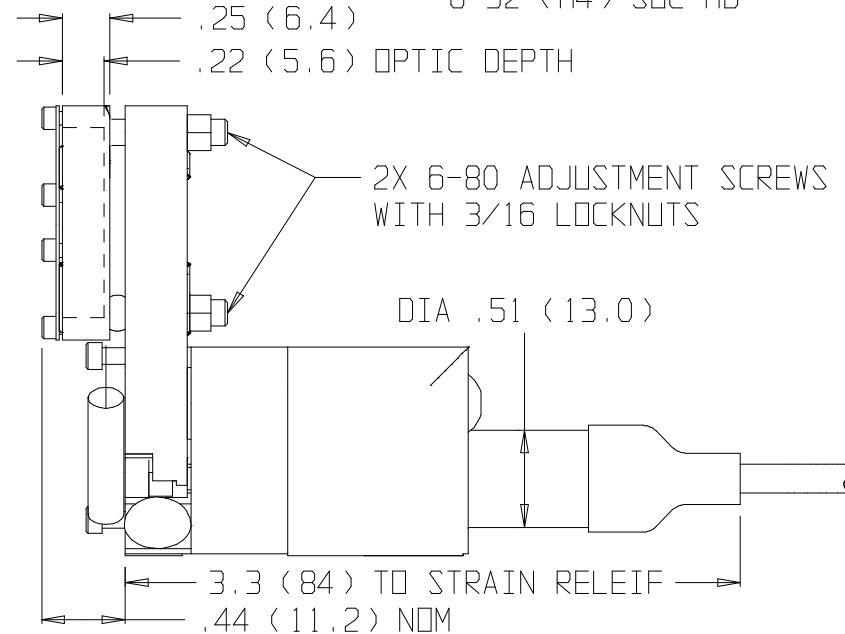
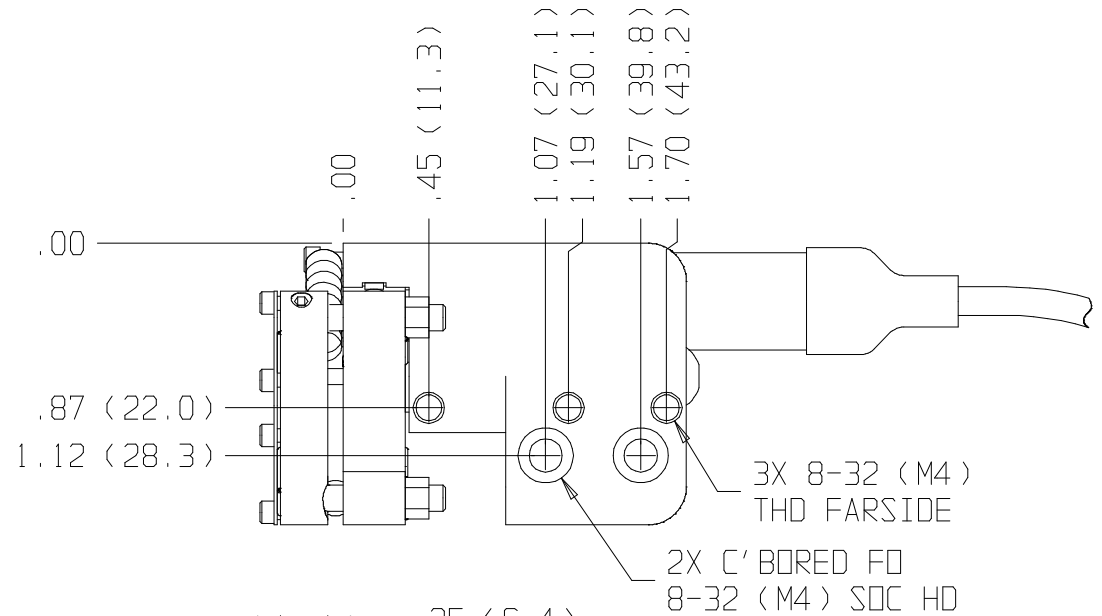
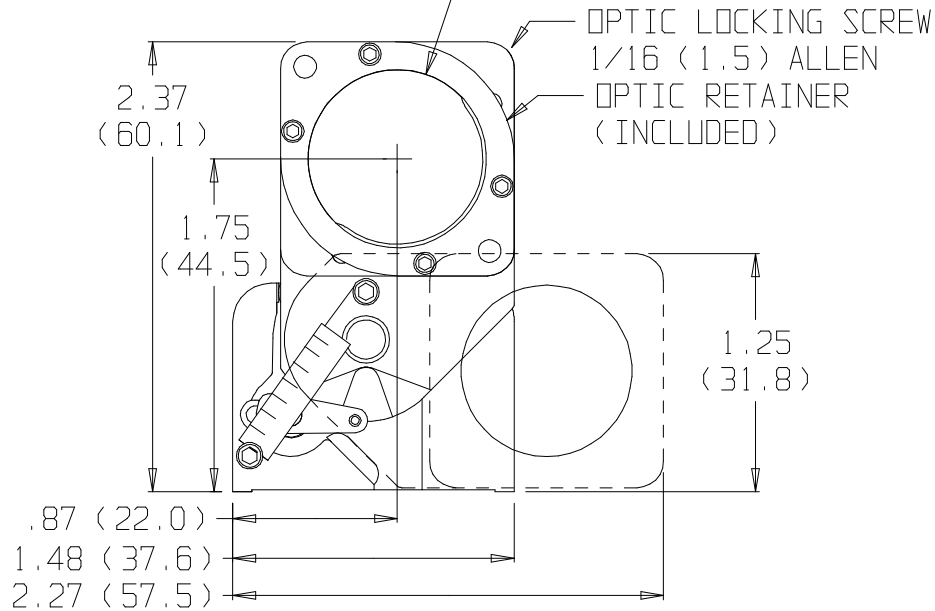


ACCEPTS DIA 1.0
(25.4) OPTICS
CLEAR APERTURE
DIA .90 (22.9)



8892-K MOTORIZED FLIPPER
NEW FOCUS, Inc. SANTA CLARA, CA

REV A
8/13/99