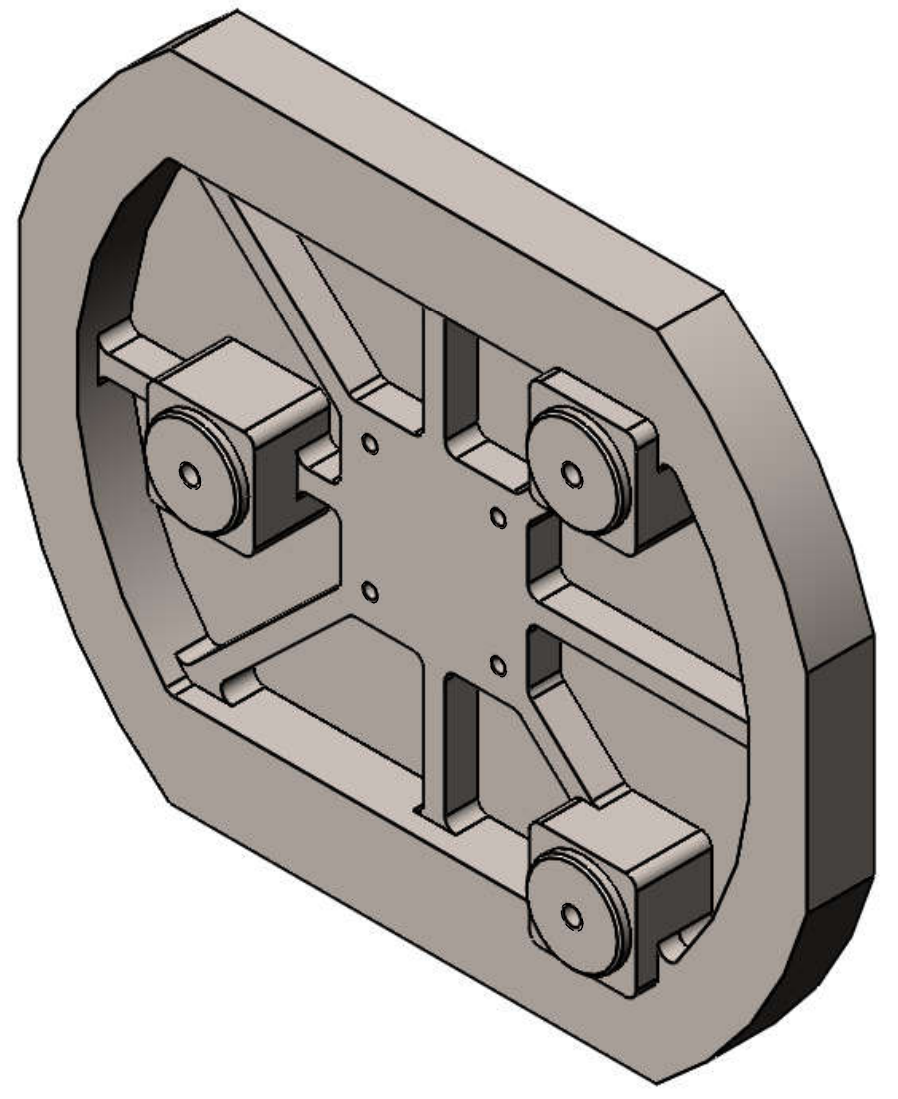


SECTION A-A



ITEM	PART NUMBER	DESCRIPTION	QTY.
1	PFS15139	Dummy STA1600LNC CCD	1
THE OBSERVATORIES OF THE CARNEGIE INSTITUTION FOR SCIENCE 813 Santa Barbara Street Pasadena, CA 91101			
MATERIAL	Alloy Steel	UNLESS OTHERWISE SPECIFIED FRACTIONAL DECIMAL ANGULAR $\pm 1/32$.XX ± 0.01 ± 0.1 DEG	
EST WEIGHT	2.25 lb	.XXX ± 0.002 GOAL .XXX ± 0.005 REQD BREAK SHARP EDGES. MACHINED SURFACES 125/ ALL DIMENSIONS IN INCHES	
SCALE	1:1	Planet Finder Spectrograph	Dummy STA1600LNC CCD
DRWN	CRANE	5/5/2017	SHEET DRAWING
APVD			B PFS15139 SHT 1 OF 1 REV