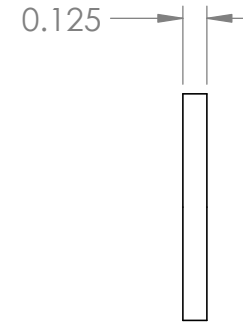
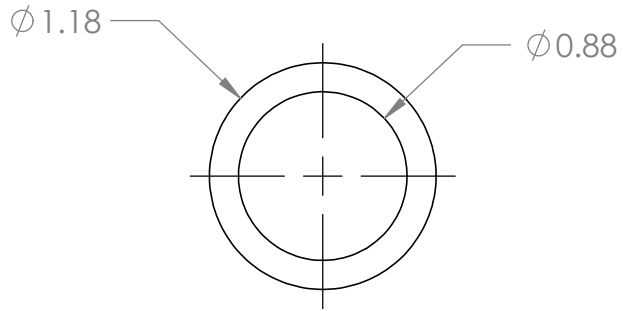


2

1



ITEM	PART NUMBER	DESCRIPTION	QTY.
1	PFS15132		1

THE OBSERVATORIES
 OF THE CARNEGIE INSTITUTION FOR SCIENCE
 813 Santa Barbara Street
 Pasadena, CA 91101

MATERIAL	Delrin	UNLESS OTHERWISE SPECIFIED FRACTIONAL DECIMAL ANGULAR $\pm 1/32$.XX ± 0.01 ± 0.1 DEG
EST WEIGHT	0.003	.XXX ± 0.002 GOAL .XXX ± 0.005 REQD BREAK SHARP EDGES. MACHINED SURFACES 125° ALL DIMENSIONS IN INCHES

SCALE	1:1	Planet Finder Spectrograph
-------	-----	----------------------------------

DRWN	CRANE	5/23/2017	SHEET	DRAWING	SHT 1	REV
APVD			A	PFS15132	OF 1	

D:\PFS\Solidworks\CCD mount\IN2-FillExtWasher

2

1