

4

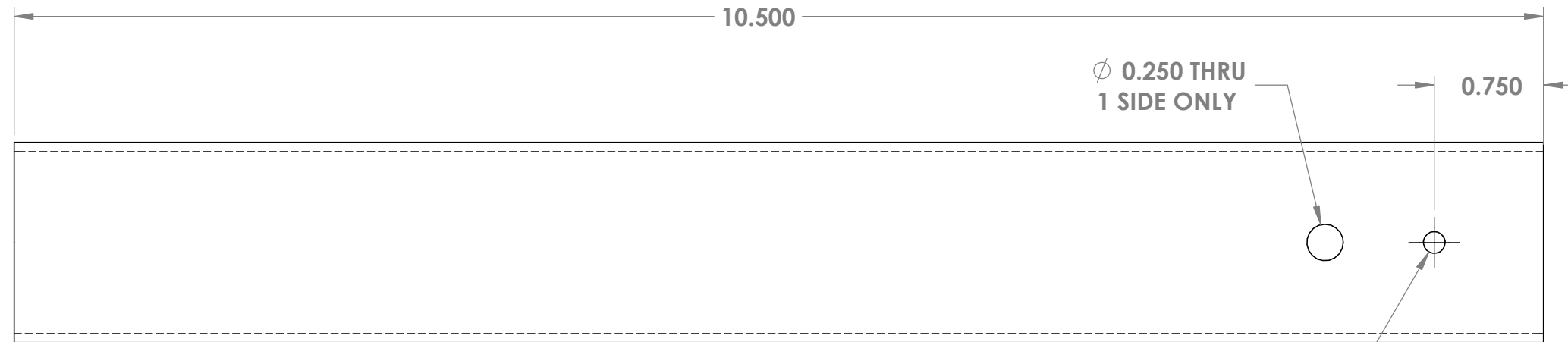
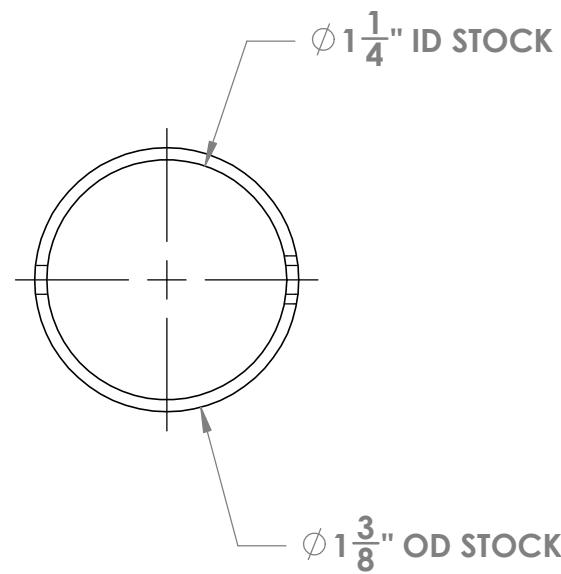
3

2

1

B

B



A

A

| ITEM | PART NUMBER | DESCRIPTION | QTY. |
|------|-------------|--------------------------------------|------|
| 1 | PFS15130 | Nitrogen Fill Extension Shield - 10k | 1 |

THE OBSERVATORIES
OF THE CARNEGIE INSTITUTION FOR SCIENCE
813 Santa Barbara Street
Pasadena, CA 91101

| | | | |
|------------|----------|---|--|
| MATERIAL | G-10 | UNLESS OTHERWISE SPECIFIED FRACTIONAL DECIMAL ANGULAR $\pm 1/32$.XX ± 0.01 ± 0.1 DEG | |
| EST WEIGHT | 0.180 lb | .XXX ± 0.002 GOAL .XXX ± 0.005 REQD BREAK SHARP EDGES. MACHINED SURFACES 125/ ALL DIMENSIONS IN INCHES | |

| | | | |
|-------|-------|----------------------------------|---|
| SCALE | 1:1 | Planet Finder Spectrograph | Nitrogen Fill Extension Shield - 10k |
| DRWN | CRANE | | |

| | | | | | | | |
|------|-------|----------|-------|---------|----------|-------|-----|
| DRWN | CRANE | 3/2/2018 | SHEET | DRAWING | PFS15130 | SHT 1 | REV |
| APVD | | | B | | | OF 1 | 1 |

4

3

2

1