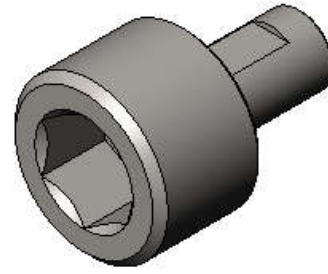
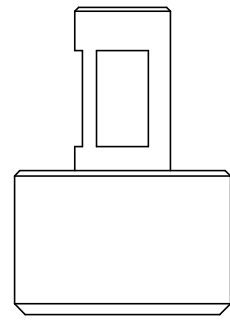


4

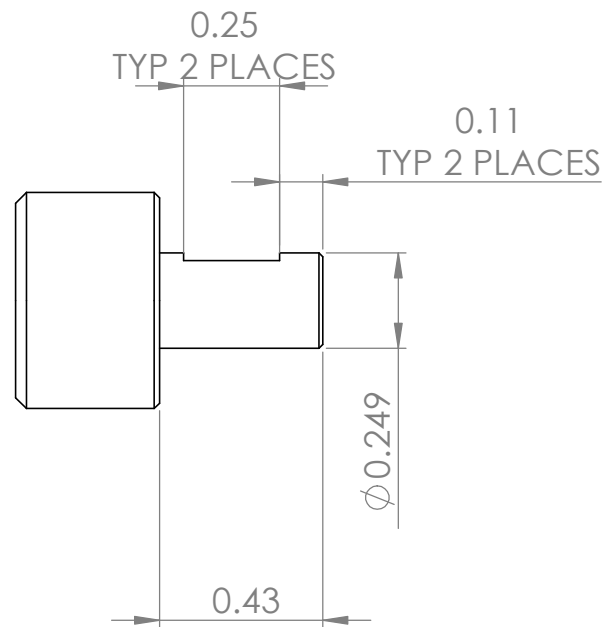
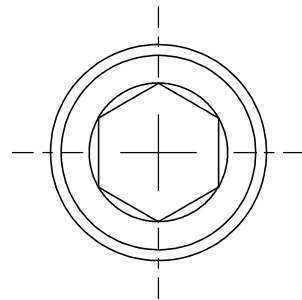
3

2

1



Make from 3/8-16 Stainless Steel SHCS



ITEM	PART NUMBER	DESCRIPTION	QTY.
1	PFS15125	Vacuum valve interface	2

THE OBSERVATORIES
OF THE CARNEGIE INSTITUTION FOR SCIENCE
813 Santa Barbara Street
Pasadena, CA 91101

MATERIAL	AISI 304	UNLESS OTHERWISE SPECIFIED FRACTIONAL DECIMAL ANGULAR ± 1/32 .XX ± 0.01 ± 0.1 DEG .XXX ± 0.002 GOAL .XXX ± 0.005 REQD BREAK SHARP EDGES. MACHINED SURFACES 125/	
EST WEIGHT	0.03	ALL DIMENSIONS IN MM	

SCALE	2:1	Planet Finder Spectrograph	Vacuum valve interface
DRWN	CRANE		

APVD	APVD	4/1/2016	SHEET B	DRAWING PFS15125	SHT 1 OF 1	REV
------	------	----------	------------	---------------------	---------------	-----

4

3

2

1