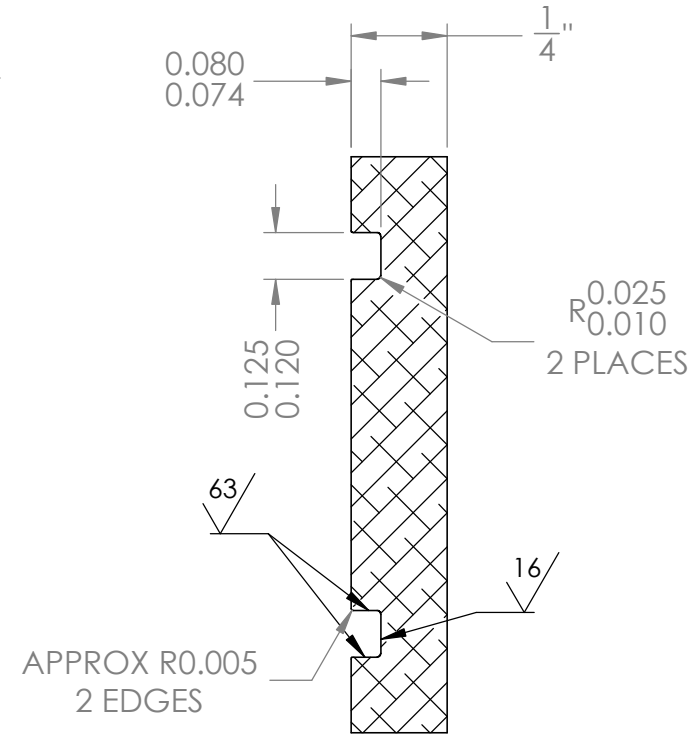


Mask when anodizing

**NOTES**  
1. Anodize gold

D:\PFS\Solidworks\CCD camera\ND8 dewar PFS\VacPortCap



SECTION A-A

ITEM	PART NUMBER	DESCRIPTION	QTY.
1	PFS15123	Vacuum valve port cap	1

THE OBSERVATORIES  
OF THE CARNEGIE INSTITUTION FOR SCIENCE  
813 Santa Barbara Street  
Pasadena, CA 91101

MATERIAL	Al 6061-T6	UNLESS OTHERWISE SPECIFIED FRACTIONAL DECIMAL ANGULAR $\pm 1/32$ .XX $\pm$ 0.01 $\pm 0.1$ DEG		
EST WEIGHT	0.086	.XXX $\pm$ 0.002 GOAL .XXX $\pm$ 0.005 REQD BREAK SHARP EDGES. MACHINED SURFACES 125/ ALL DIMENSIONS IN INCHES		

SCALE	2:1	Planet Finder Spectrograph	Vacuum valve port cap	
DRWN	CRANE		SHEET	DRAWING

APVD		4/11/2017	SHEET	DRAWING	SHT 1	REV
			A	PFS15123	OF 1	