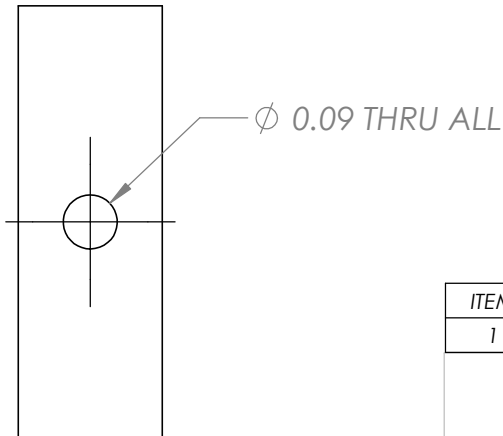


SECTION A-A



ITEM	PART NUMBER	DESCRIPTION	QTY.
1	PFS15120	PCB Standoff	4

THE OBSERVATORIES
OF THE CARNEGIE INSTITUTION FOR SCIENCE
813 Santa Barbara Street
Pasadena, CA 91101

MATERIAL	G-10	UNLESS OTHERWISE SPECIFIED FRACTIONAL DECIMAL ANGULAR $\pm 1/32$.XX ± 0.01 ± 0.1 DEG	
EST WEIGHT	0.002	.XXX ± 0.002 GOAL .XXX ± 0.005 REQD BREAK SHARP EDGES. MACHINED SURFACES \checkmark 125/ ALL DIMENSIONS IN INCHES	

SCALE	3:1	Planet Finder Spectrograph	PCB Standoff
-------	-----	----------------------------------	--------------

DRWN	CRANE	3/14/2017	SHEET	DRAWING	SHT 1	REV
APVD			A	PFS15120	OF 1	