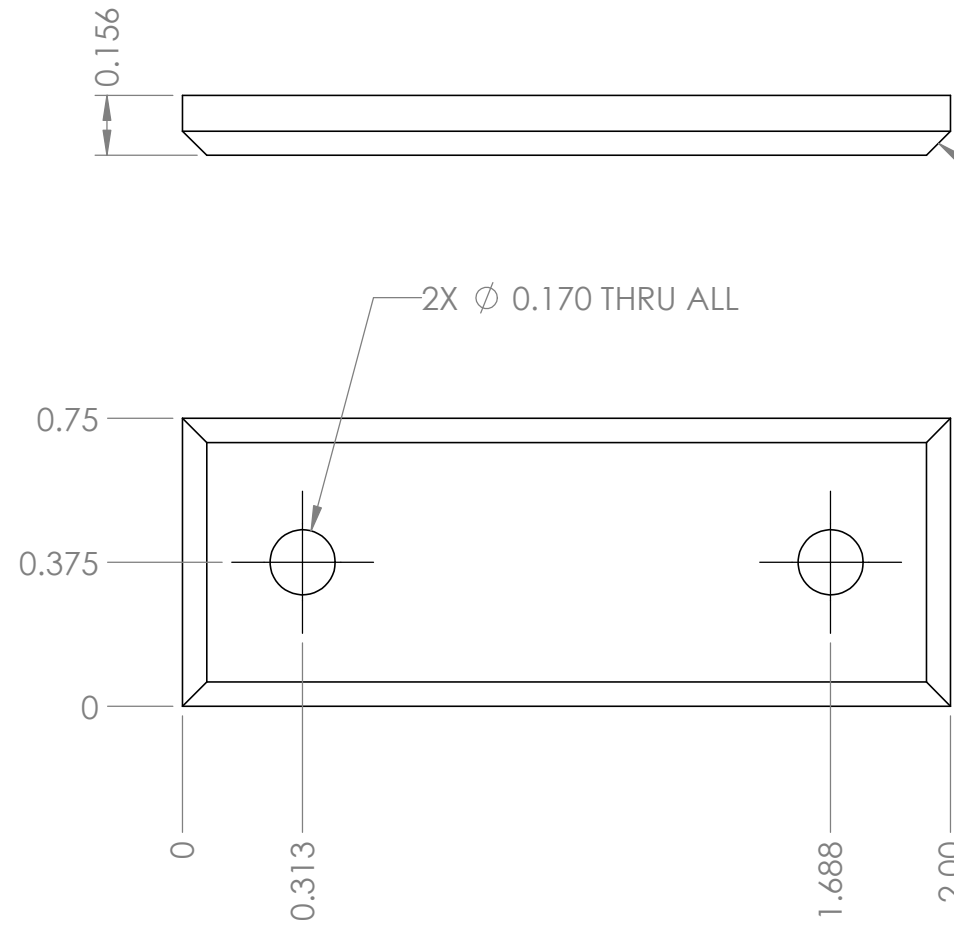


2

1

B

B



0.06 X 45°

2X Ø 0.170 THRU ALL

Notes

1. Gold plate

ITEM	PART NUMBER	DESCRIPTION	QTY.
1	PFS15118	Cold plate interface clamp	1

THE OBSERVATORIES
OF THE CARNEGIE INSTITUTION FOR SCIENCE
813 Santa Barbara Street
Pasadena, CA 91101

MATERIAL	Copper	UNLESS OTHERWISE SPECIFIED FRACTIONAL DECIMAL ANGULAR ± 1/32 .XX± 0.01 ± 0.1 DEG				
EST WEIGHT	0.070	.XXX± 0.002 GOAL .XXX± 0.005 REQD BREAK SHARP EDGES. MACHINED SURFACES 125/ ✓ ALL DIMENSIONS IN INCHES				
SCALE	2:1	Planet Finder Spectrograph	Cold plate interface clamp			
DRWN	CRANE		4/11/2017	SHEET	DRAWING	
APVD			A	PFS15118	SHT 1 OF 1	REV

D:\PFS\Solidworks\CCD camera\ColdPlateInterfaceClamp

2

1

A

A