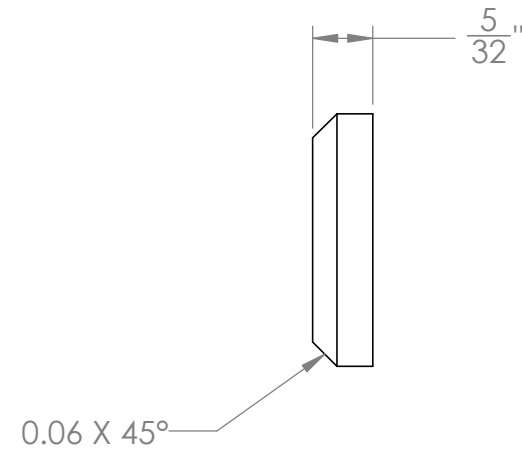
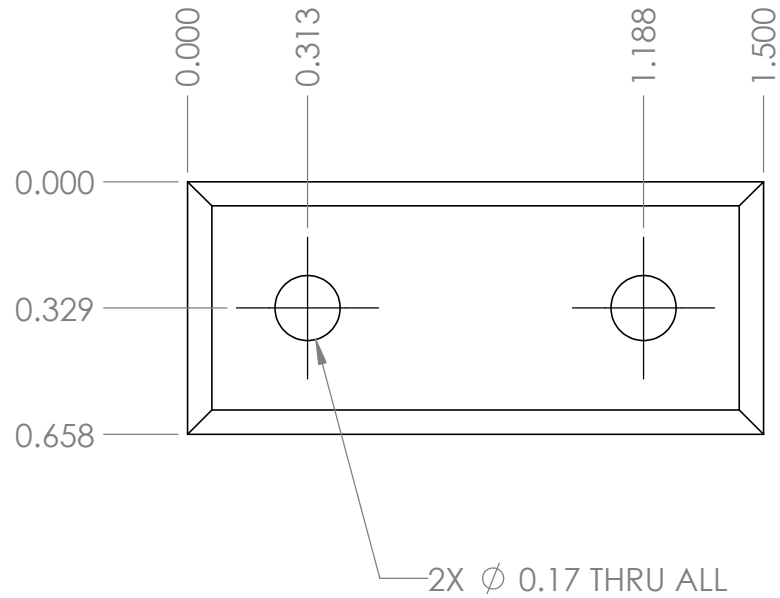


2

1



Notes

1. Gold plate

ITEM	PART NUMBER	DESCRIPTION	QTY.
1	PFS15117	Thermal control block clamp	1

THE OBSERVATORIES
OF THE CARNEGIE INSTITUTION FOR SCIENCE
813 Santa Barbara Street
Pasadena, CA 91101

MATERIAL	Copper	UNLESS OTHERWISE SPECIFIED FRACTIONAL DECIMAL ANGULAR $\pm 1/32$.XX ± 0.01 ± 0.1 DEG		
EST WEIGHT	0.045	.XXX ± 0.002 GOAL .XXX ± 0.005 REQD BREAK SHARP EDGES. MACHINED SURFACES 125° ALL DIMENSIONS IN INCHES		
SCALE	2:1	Planet Finder Spectrograph	Thermal control block clamp	
DRWN	CRANE	4/11/2017	SHEET A	DRAWING PFS15117
APVD				SHT 1 OF 1
				REV

D:\PFS\Solidworks\CCD camera\ThermalControlBlockClamp

2

1