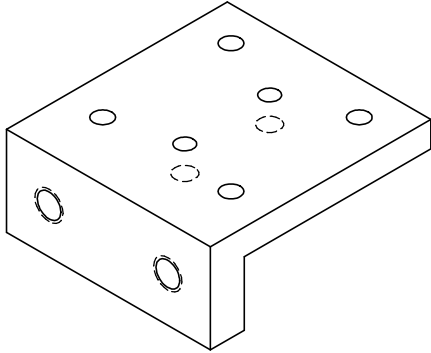
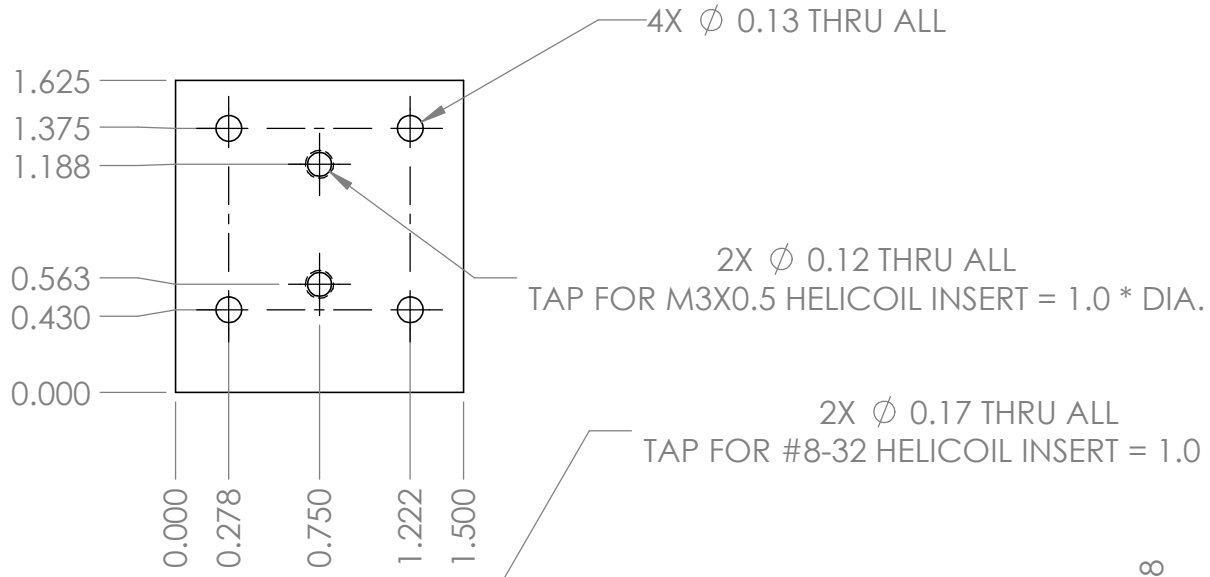


2

1

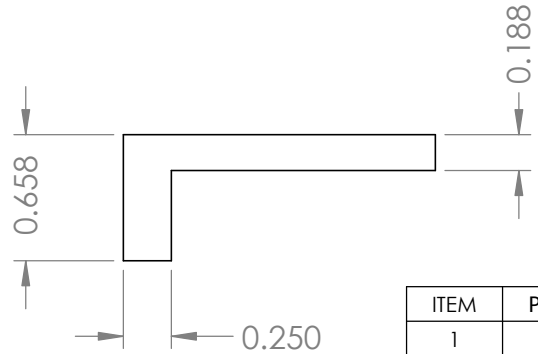
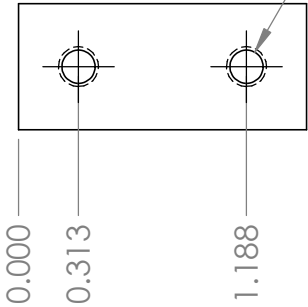


B

B

A

A



ITEM	PART NUMBER	DESCRIPTION	QTY.
1	PFS15116	Thermal control block	1

THE OBSERVATORIES
OF THE CARNEGIE INSTITUTION FOR SCIENCE
813 Santa Barbara Street
Pasadena, CA 91101

MATERIAL	Copper	UNLESS OTHERWISE SPECIFIED FRACTIONAL DECIMAL ANGULAR ± 1/32 .XX± 0.01 ± 0.1 DEG .XXX± 0.002 GOAL .XXX± 0.005 REQD		
EST WEIGHT	0.195	BREAK SHARP EDGES. MACHINED SURFACES 125/ ✓ ALL DIMENSIONS IN INCHES		
SCALE	1:1	Planet Finder Spectrograph	Thermal control block	
DRWN	CRANE	4/11/2017	SHEET A	DRAWING PFS15116
APVD				SHT 1 OF 1
				REV A

2

1