

4

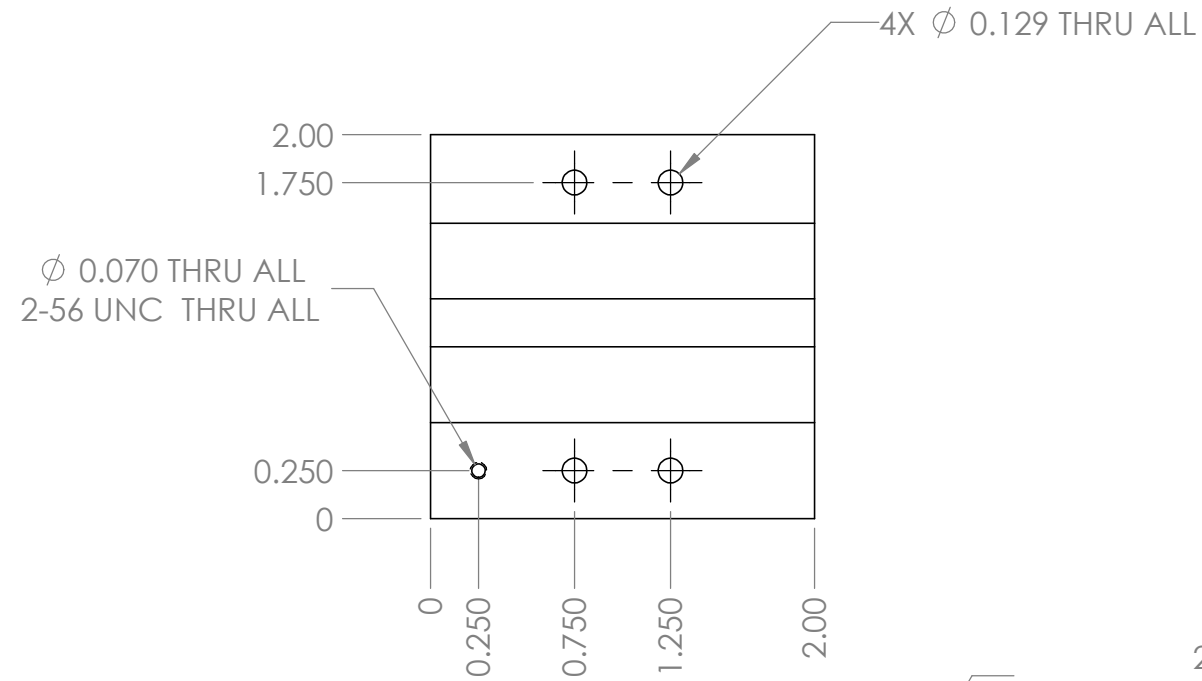
3

2

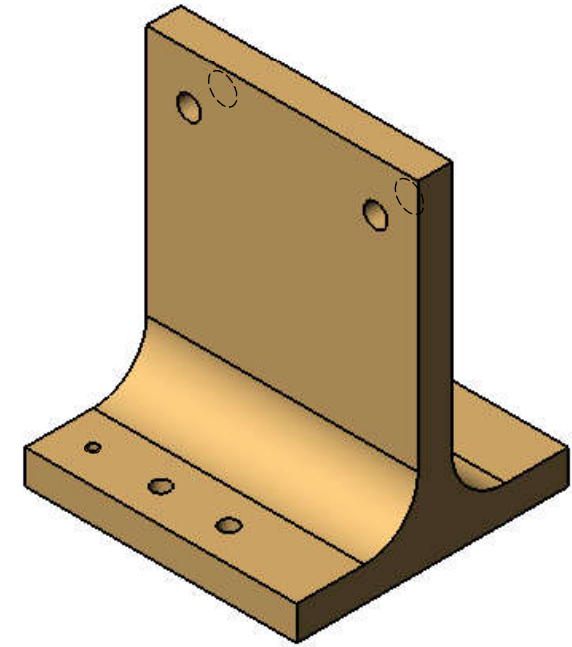
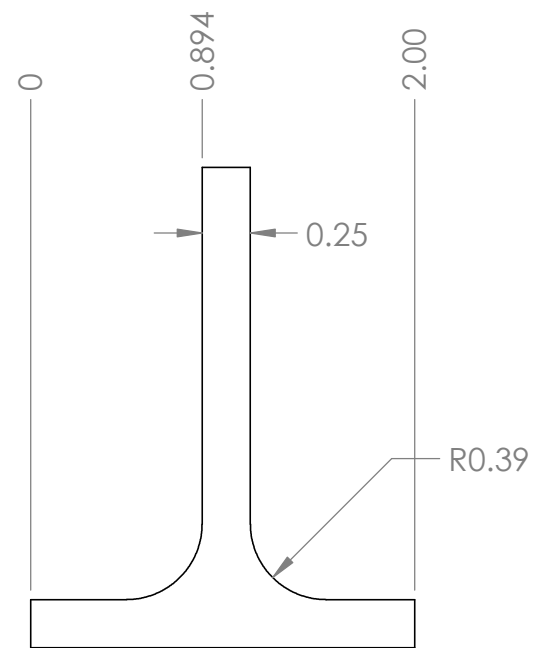
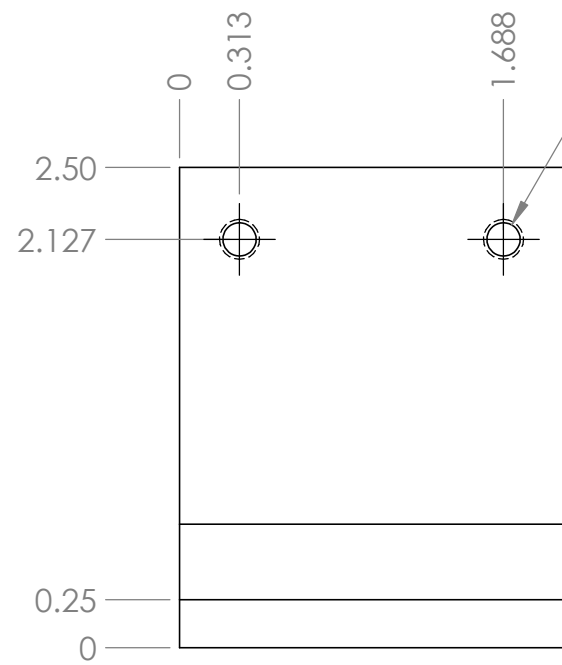
1

B

B



2X Ø 0.173 THRU ALL
TAP FOR #8-32 HELICOIL INSERT = 1.0 * DIA.



Notes

- 1. Gold plate

ITEM	PART NUMBER	DESCRIPTION	QTY.
1	PFS15114	Cold Plate Interface	1

THE OBSERVATORIES
OF THE CARNEGIE INSTITUTION FOR SCIENCE
813 Santa Barbara Street
Pasadena, CA 91101

MATERIAL	Copper	UNLESS OTHERWISE SPECIFIED FRACTIONAL DECIMAL ANGULAR ± 1/32 .XX ± 0.01 ± 0.1 DEG
EST WEIGHT	325.71 g	.XXX ± 0.002 GOAL .XXX ± 0.005 REQD BREAK SHARP EDGES. MACHINED SURFACES 125/ ALL DIMENSIONS IN INCHES

SCALE	1:1	Planet Finder Spectrograph	Cold Plate Interface
DRWN	CRANE		

APVD		SHEET	DRAWING	REV
		B	PFS15114	SHT 1 OF 1 1

4

3

2

1

A

A