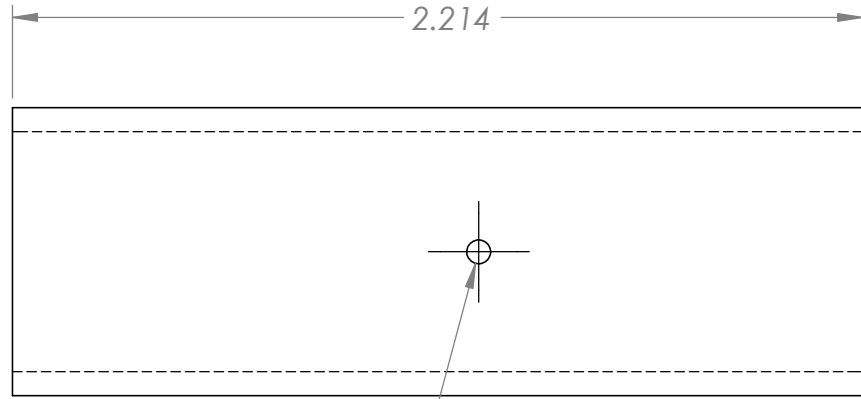
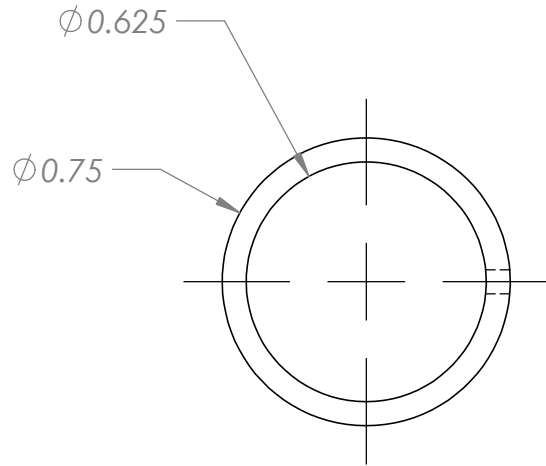


2

1



$\phi 0.06$  THRU ONE WALL

ITEM	PART NUMBER	DESCRIPTION	QTY.
1	PFS15107	CCD Insulating Standoff	3

THE OBSERVATORIES  
OF THE CARNEGIE INSTITUTION FOR SCIENCE  
813 Santa Barbara Street  
Pasadena, CA 91101

MATERIAL	G-10	UNLESS OTHERWISE SPECIFIED FRACTIONAL DECIMAL ANGULAR $\pm 1/32$ .XX $\pm 0.01$ $\pm 0.1$ DEG	
EST WEIGHT	0.026	.XXX $\pm 0.002$ GOAL .XXX $\pm 0.005$ REQD BREAK SHARP EDGES. MACHINED SURFACES $125^\circ$ ALL DIMENSIONS IN INCHES	

SCALE	2:1	Planet Finder Spectrograph	CCD Insulating Standoff
-------	-----	----------------------------------	-------------------------

DRWN	CRANE	3/13/2017	SHEET	DRAWING	SHT 1	REV
APVD			A	PFS15107	OF 1	

2

1