

4

3

2

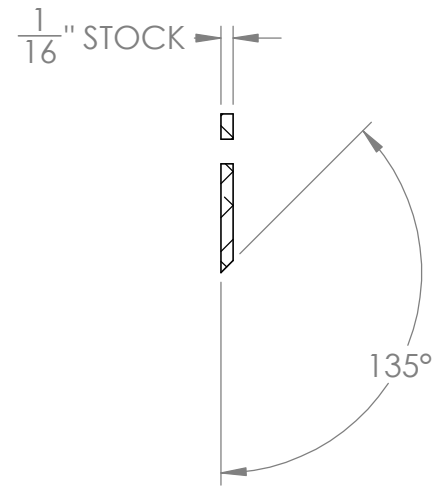
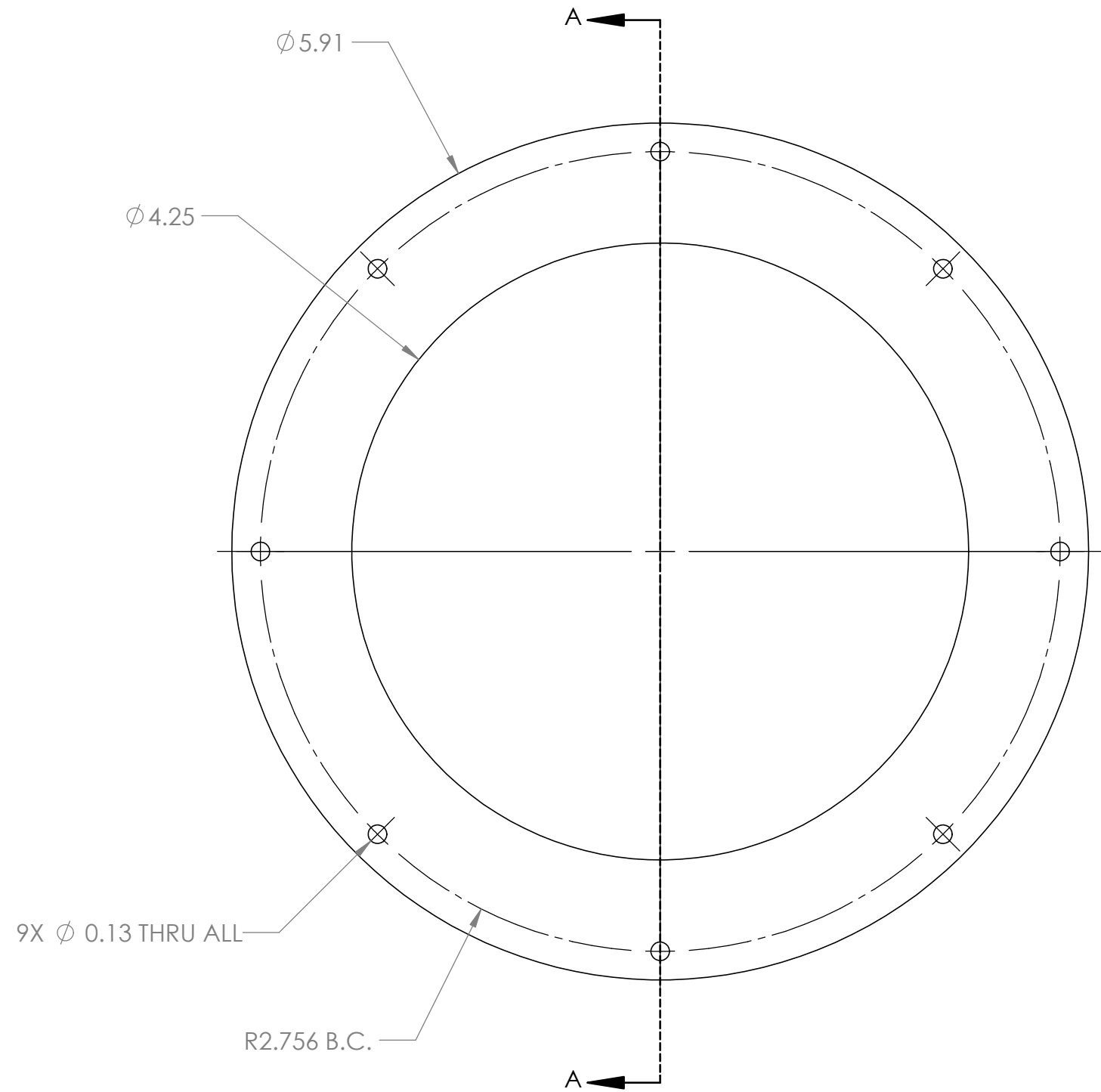
1

B

B

A

A



NOTES
1. Anodize

Soften knife edge just enough to be safe

SECTION A-A

ITEM	PART NUMBER	DESCRIPTION	QTY.
1	PFS15106	Flattener Retaining Ring	1
THE OBSERVATORIES OF THE CARNEGIE INSTITUTION FOR SCIENCE 813 Santa Barbara Street Pasadena, CA 91101			
MATERIAL		UNLESS OTHERWISE SPECIFIED	
6061-T6 (SS)		FRACTIONAL	DECIMAL ANGULAR
		$\pm 1/32$	$.XX \pm 0.01$ ± 0.1 DEG
EST WEIGHT		.XXX ± 0.002 GOAL	
35.026 lb		.XXX ± 0.005 REQD	
SCALE		BREAK SHARP EDGES. MACHINED SURFACES 125°	
1:1		ALL DIMENSIONS IN INCHES	
		Planet Finder Spectrograph	Flattener Retaining Ring
DRWN	CRANE		
APVD			
SHEET		DRAWING	
B		PFS15106	
		SHT 1 OF 1	
		REV	

4

3

2

1