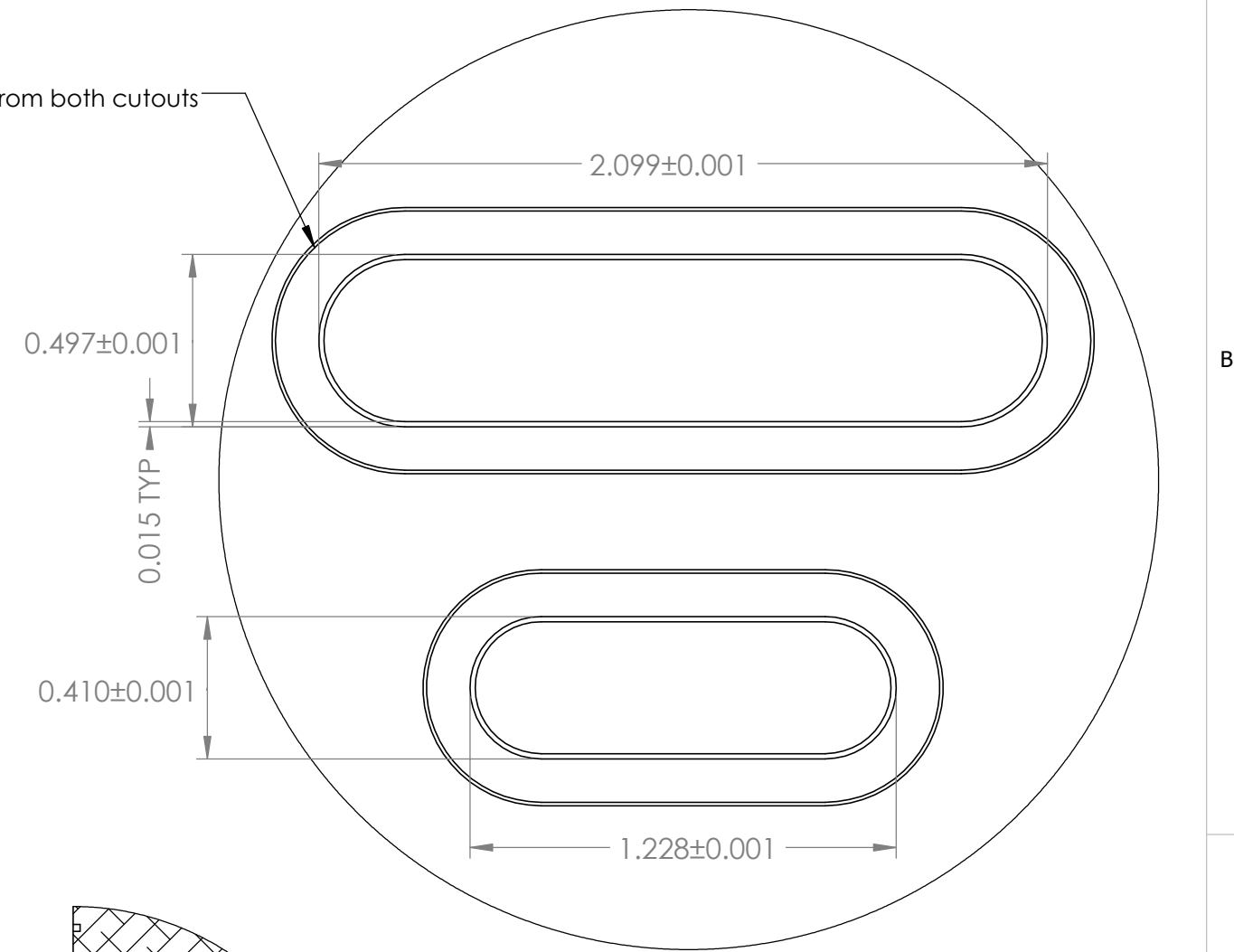
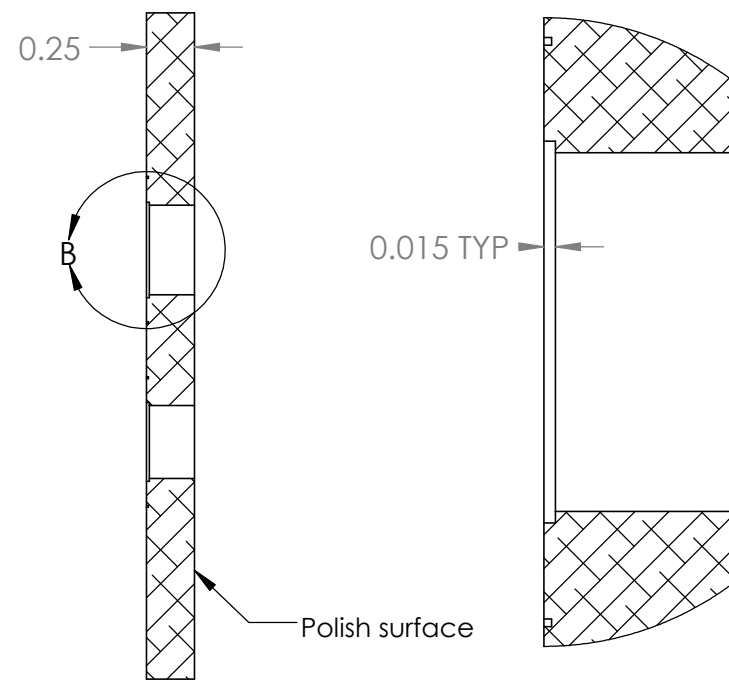
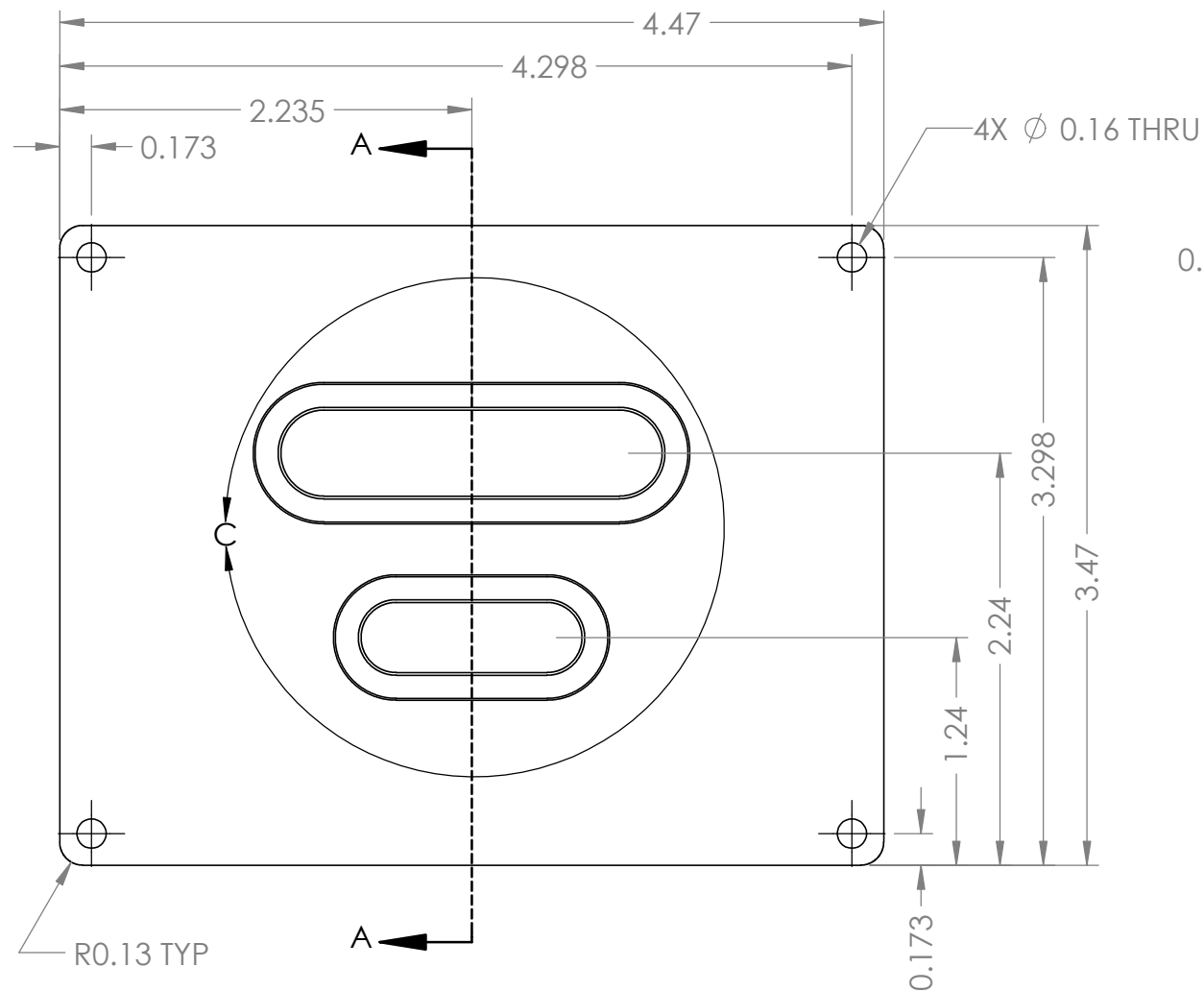


NOTES

- Cutouts are for laser weldable hermetic connectors from SRI Hermetics: SRIMD5004-25 and SRIMD5004-100

Mask opposite side and interior to etchings before anodizing

Etch line 1/8" offset from both cutouts



DETAIL C
SCALE 2 : 1

ITEM	PART NUMBER	DESCRIPTION	QTY.
1	PFS15105	CCD STA Connector Plate	2

THE OBSERVATORIES
OF THE CARNEGIE INSTITUTION FOR SCIENCE
813 Santa Barbara Street
Pasadena, CA 91101

MATERIAL	6061 Alloy	UNLESS OTHERWISE SPECIFIED FRACTIONAL DECIMAL ANGULAR ± 1/32 .XX ± 0.01 ± 0.1 DEG	
EST WEIGHT	0.343 lb	.XXX ± 0.002 GOAL .XXX ± 0.005 REQD BREAK SHARP EDGES. MACHINED SURFACES 125/ ALL DIMENSIONS IN MM	

SCALE	1:1	Planet Finder Spectrograph	CCD STA Connector Plate
-------	-----	----------------------------------	-------------------------

DRWN	CRANE	6/16/2017	SHEET	DRAWING	PFS15105	SHT 1	REV
APVD			B			OF 1	1