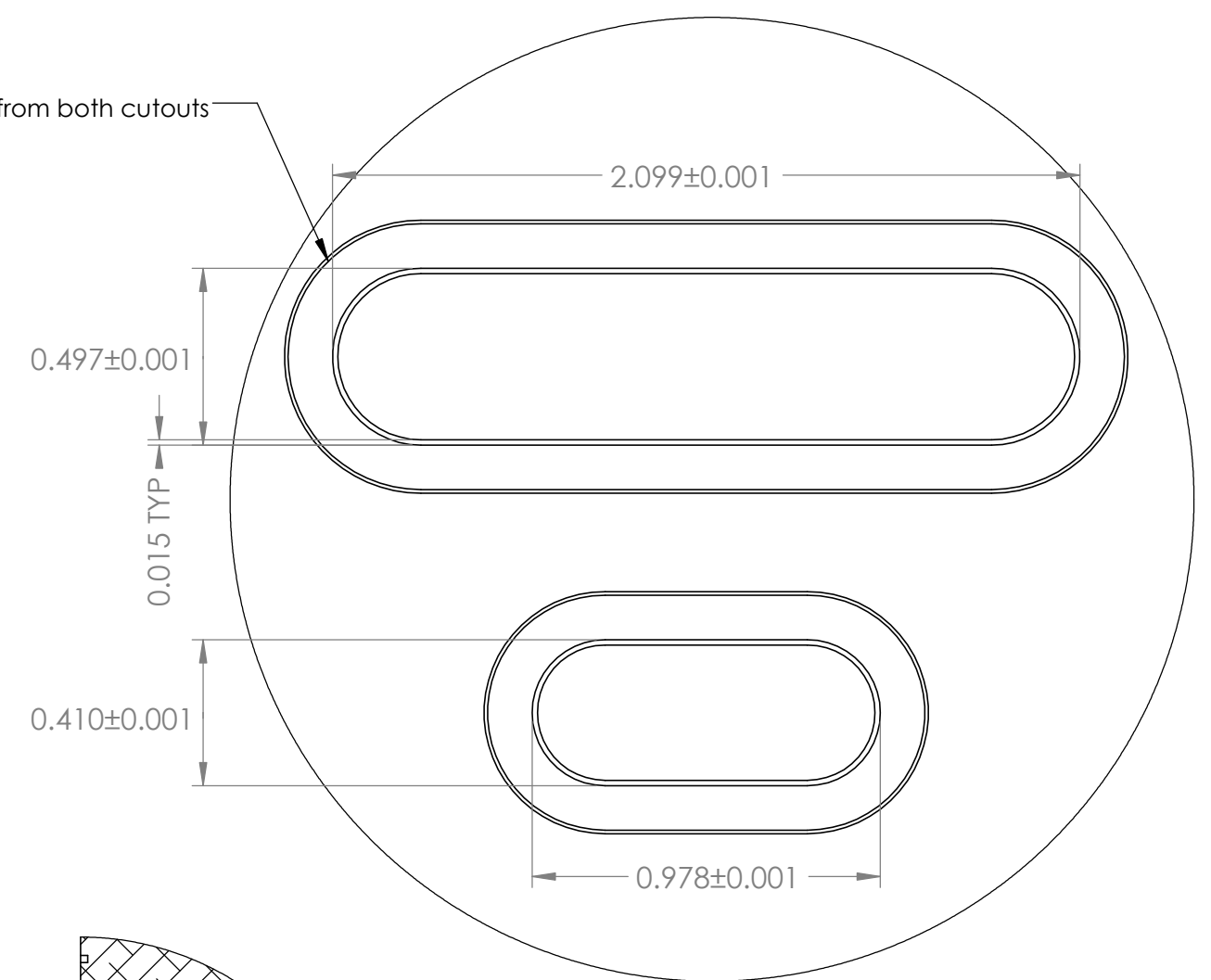
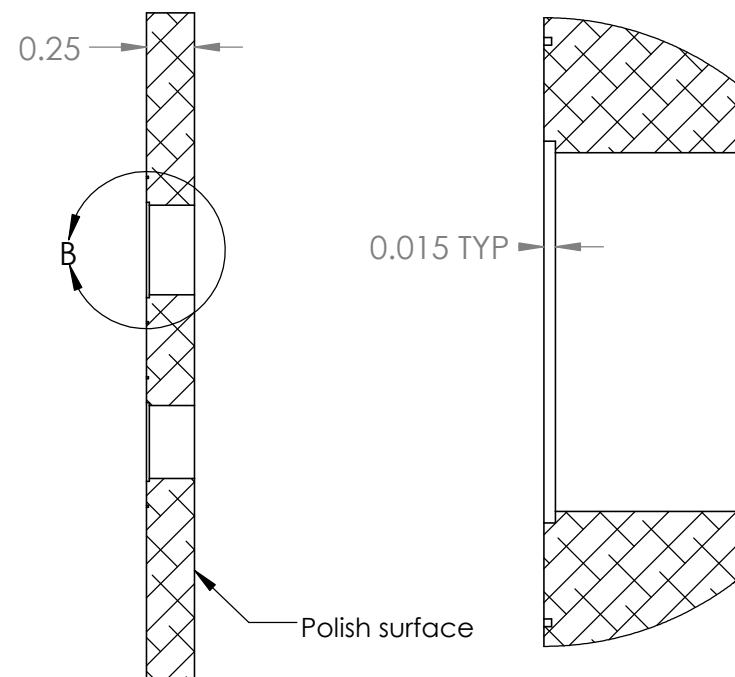
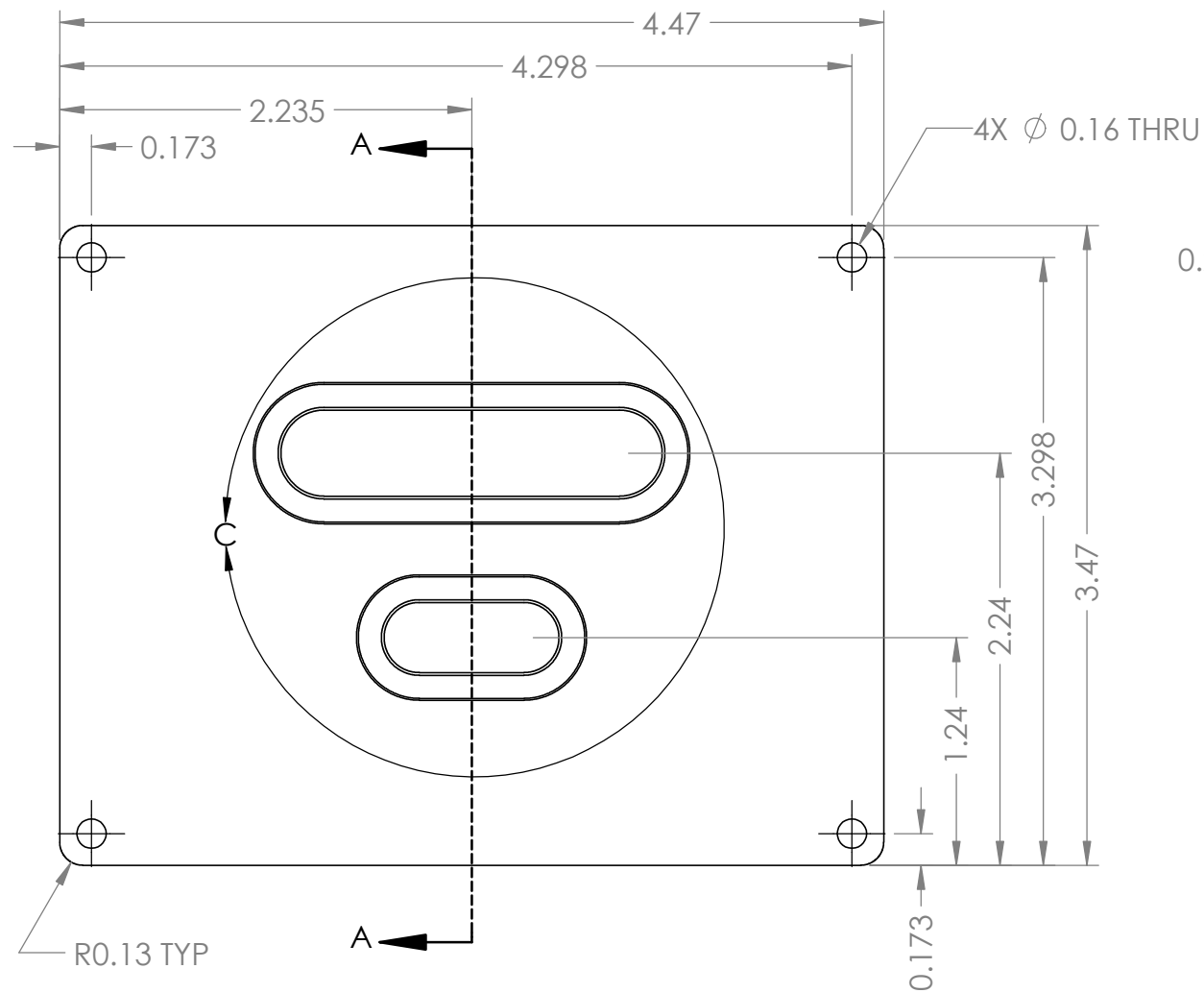


**NOTES**

- Cutouts are for laser weldable hermetic connectors from SRI Hermetics: SRIMD5004-15 and SRIMD5004-100

Mask opposite side and interior to etchings before anodizing

Etch line 1/8" offset from both cutouts



DETAIL C  
SCALE 2 : 1

ITEM	PART NUMBER	DESCRIPTION	QTY.
1	PFS15105	CCD STA Connector Plate	2
<b>THE OBSERVATORIES OF THE CARNEGIE INSTITUTION FOR SCIENCE</b> 813 Santa Barbara Street Pasadena, CA 91101			
MATERIAL	6061 Alloy	UNLESS OTHERWISE SPECIFIED FRACTIONAL DECIMAL ANGULAR $\pm 1/32$ .XX $\pm 0.01$ $\pm 0.1$ DEG	
EST WEIGHT	0.345 lb	.XXX $\pm 0.002$ GOAL .XXX $\pm 0.005$ REQD BREAK SHARP EDGES. MACHINED SURFACES 125/ ALL DIMENSIONS IN MM	
SCALE	1:1	<b>P</b> lanet <b>F</b> inder <b>S</b> pectrograph CCD STA Connector Plate	
DRWN	CRANE	5/4/2017	SHEET DRAWING
APVD			B PFS15105 SHT 1 OF 1 REV