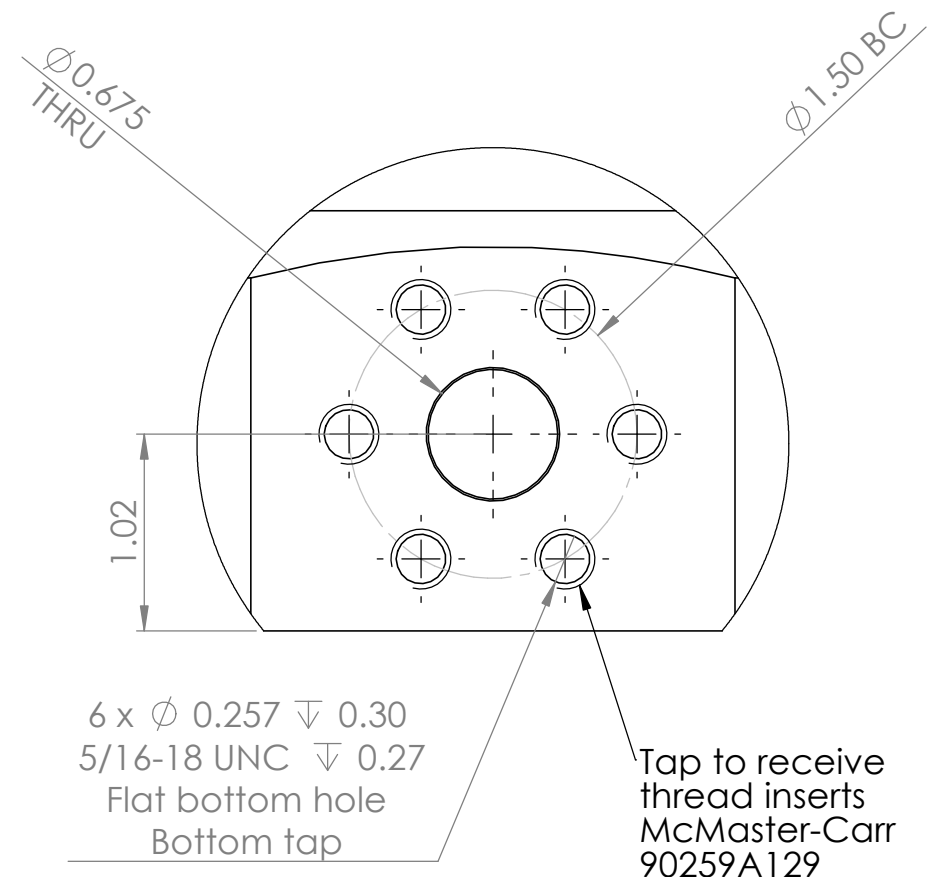
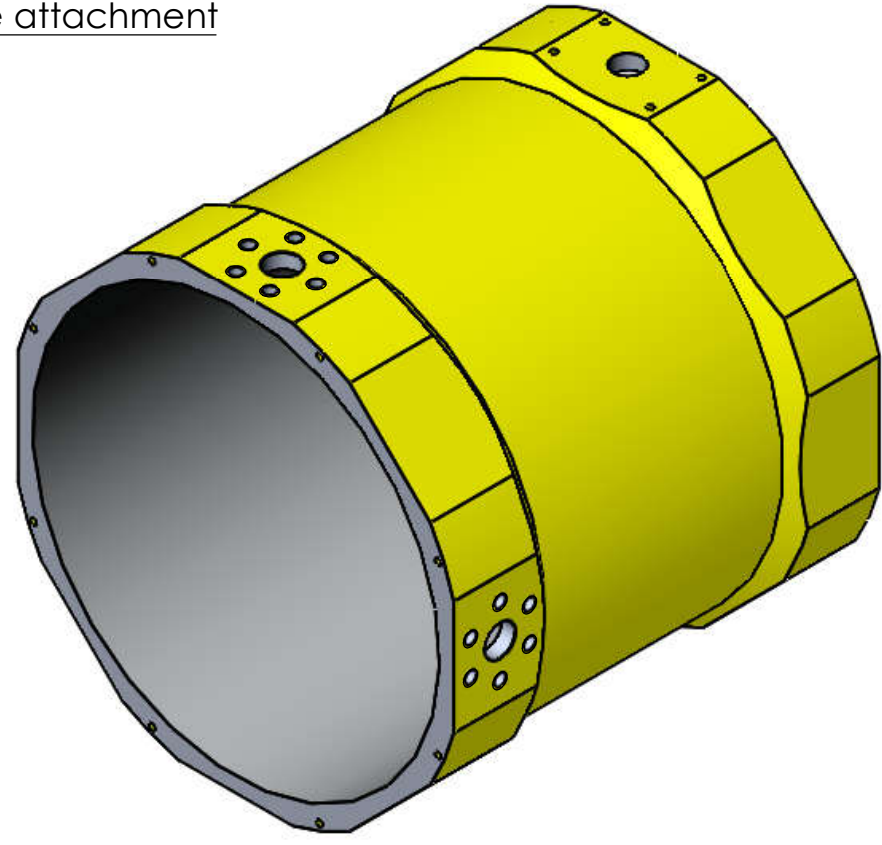
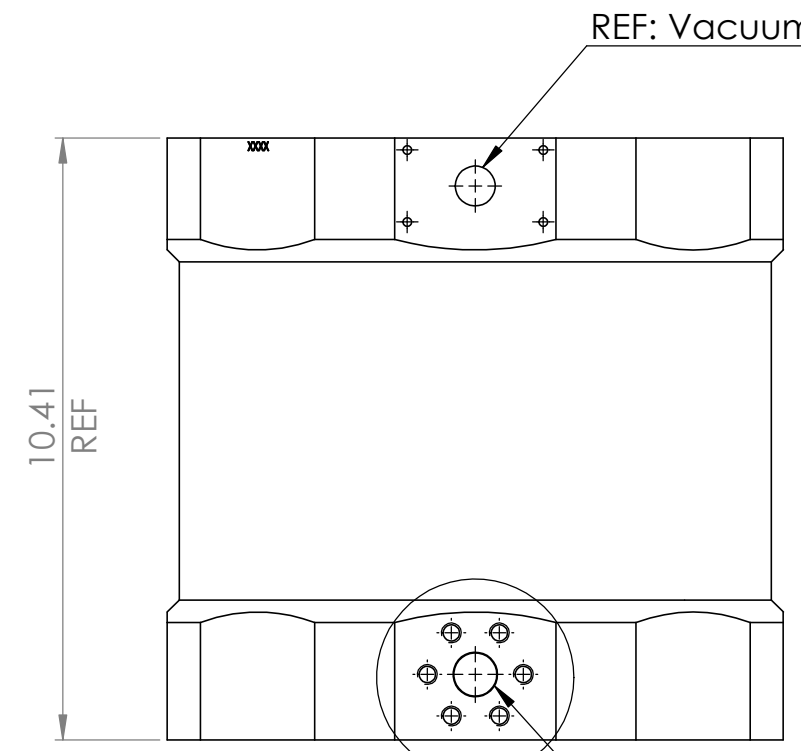


8 7 6 5 4 3 2 1

D
C
B
A



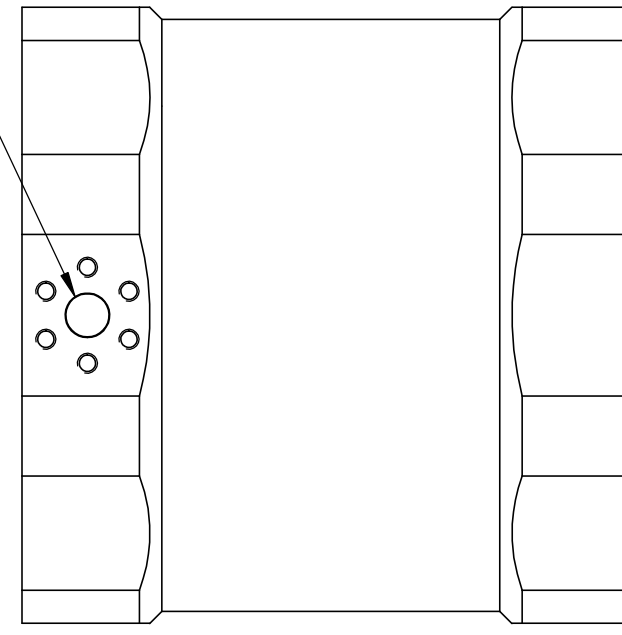
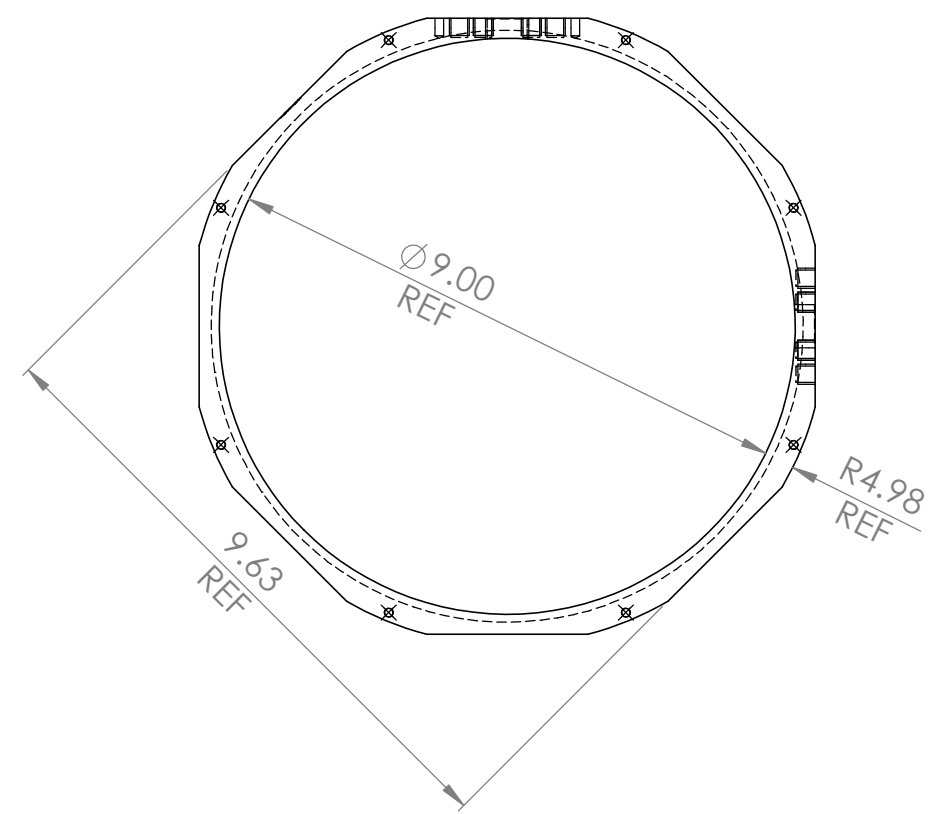
6 x $\varnothing 0.257 \nabla 0.30$
 5/16-18 UNC $\nabla 0.27$
 Flat bottom hole
 Bottom tap

Tap to receive thread inserts
 McMaster-Carr
 90259A129
 modified to 1/4 length

DETAIL A
SCALE 1 : 1
2 PLACES

A

Fitting for KF16 Bulkhead Clamp



THE OBSERVATORIES OF THE CARNEGIE INSTITUTION FOR SCIENCE 813 Santa Barbara Street Pasadena, CA 91101				
MATERIAL Aluminum 6061-T6 (SS)		UNLESS OTHERWISE SPECIFIED .XX ± 0.01 .XXX ± 0.002 GOAL .XXX ± 0.005 REQD FRACTIONAL ± 1/32 ANGULAR ± 0.1 DEG BREAK SHARP EDGES. MACHINED SURFACES 125 ✓ ALL DIMENSIONS IN INCHES		
WEIGHT 2.9 kg		SCALE 1:3		
DRWN JDC 11/21/2017		PFS PFS15101		
SHEET B		DRAWING PFS15101		SHT 1 OF 1 REV 1

8 7 6 5 4 3 2 1