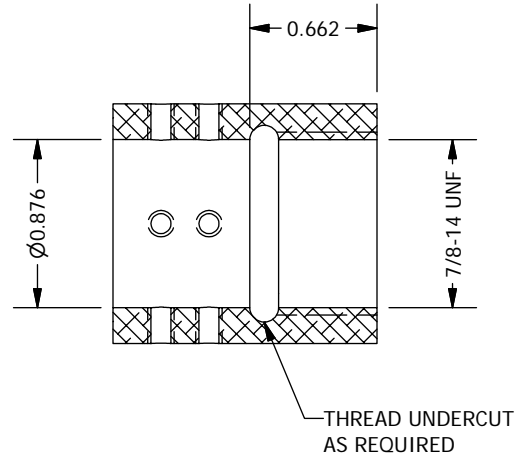
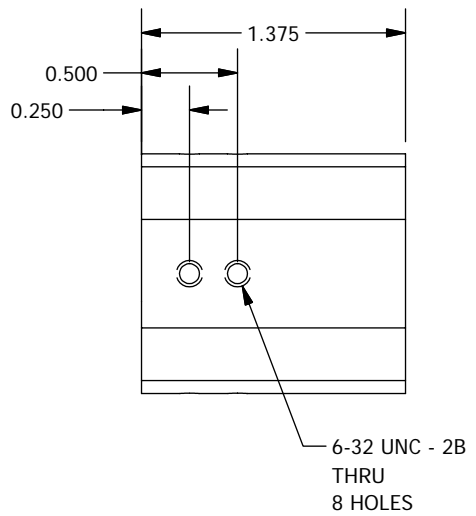
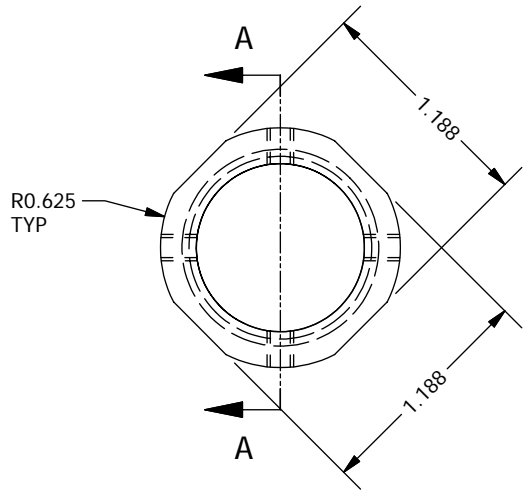


2

1



SECTION A-A
SCALE 1 : 1



NOTES

1. Adjust ∅0.876 ID as necessary for slip fit to PFS15034 OD

1	1	PFS15035	
ITEM	QTY	DESCRIPTION	
Bill of Material			
THE OBSERVATORIES OF THE CARNEGIE INSTITUTION OF WASHINGTON 813 Santa Barbara Street Pasadena, CA 91101			
MATERIAL		UNLESS OTHERWISE SPECIFIED	
Delrin, Black		FRACTIONAL	DECIMAL ANGULAR
		+/- 1/32	.XX +/- 0.01 +/- 0.1 DEG
EST WEIGHT		.XXX +/- 0.002 GOAL	
1 oz		.XXX +/- 0.005 REQD	
		BREAK SHARP EDGES MACHINED SURFACES 125 [√]	
		ALL DIMENSIONS IN INCHES	
SCALE		P lanet F nder S pectrograph	
1:1		Nitrogen Fill Extension Nut	
DWN	CRANE	12/4/2009	
APVD			
	BY	DATE	
SHEET	DRAWING NUMBER		SHT 1 REV
A	PFS15035		OF 1 3

2

1