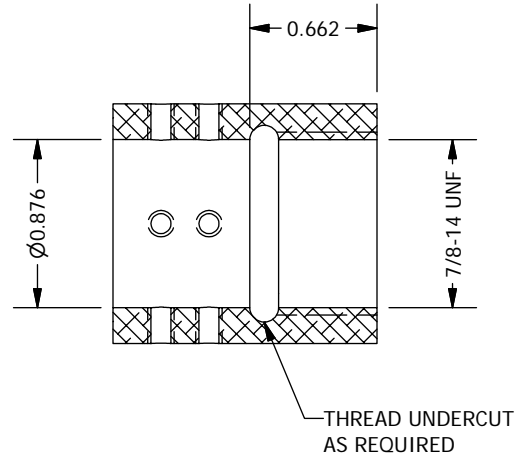
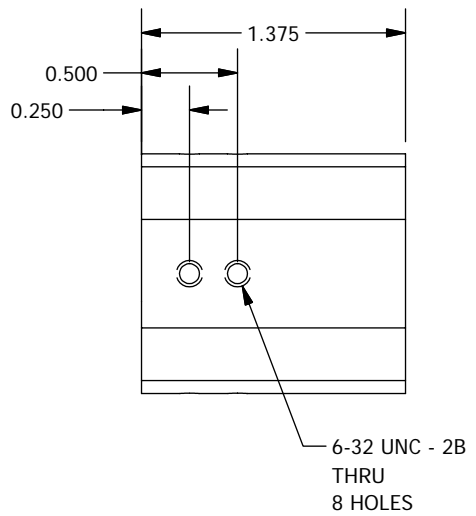
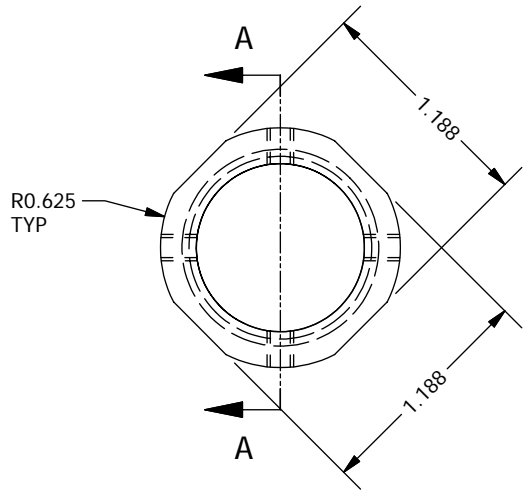
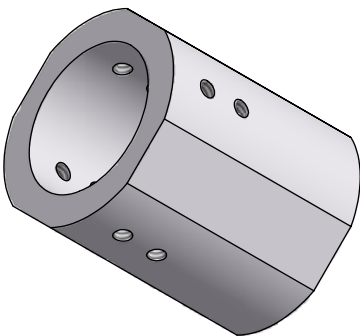


2

1



SECTION A-A  
SCALE 1 : 1



**NOTES**

1. Adjust R0.625 dimension as necessary to fit PFS15036 ID
2. Adjust  $\varnothing 0.876$  ID as necessary for slip fit to PFS15034 OD
3. Anodize black

1	1	PFS15035
ITEM	QTY	DESCRIPTION
Bill of Material		
<b>THE OBSERVATORIES OF THE CARNEGIE INSTITUTION OF WASHINGTON</b> 813 Santa Barbara Street Pasadena, CA 91101		
MATERIAL	Aluminum-6061 UNLESS OTHERWISE SPECIFIED FRACTIONAL DECIMAL ANGULAR +/- 1/32 .XX +/- 0.01 +/- 0.1 DEG .XXX +/- 0.002 GOAL .XXX +/- 0.005 REQD BREAK SHARP EDGES MACHINED SURFACES 125 $\sqrt$ ALL DIMENSIONS IN INCHES	
EST WEIGHT	1 oz	
SCALE	1:1	
	P lanet F nder S pectrograph	Nitrogen Fill Extension Nut
DWN	CRANE	11/12/2008
APVD		
	BY	DATE
SHEET	DRAWING NUMBER	SHT 1 OF 1
A	PFS15035	REV 2

2

1