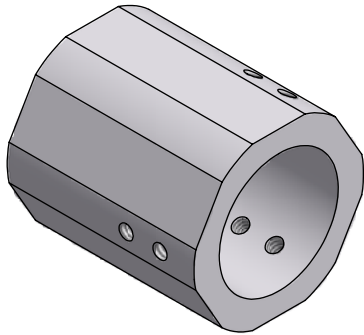


6-32 UNC - 2B
THRU WALL
6 PLACES
IN PAIRS 120° APART

SECTION A-A



NOTES

1. Adjust R0.625 dimension as necessary to fit PFS15036 ID
2. Adjust Ø0.876 ID as necessary for slip fit to PFS15034 OD
3. Anodize black

1	1	PFS15035
ITEM	QTY	DESCRIPTION
Bill of Material		
THE OBSERVATORIES OF THE CARNEGIE INSTITUTION OF WASHINGTON 813 Santa Barbara Street Pasadena, CA 91101		
MATERIAL	Aluminum-6061 UNLESS OTHERWISE SPECIFIED FRACTIONAL .XX +/- 0.01 ANGULAR +/- 0.1 DEG +/- 1/32 .XXX +/- 0.002 GOAL .XXX +/- 0.005 REQD BREAK SHARP EDGES MACHINED SURFACES 125√ ALL DIMENSIONS IN INCHES	
EST WEIGHT	1 oz	
SCALE	1:1	
P lanet F nder S pectrograph		Nitrogen Fill Extension Nut
DWN	CRANE	10/8/2008
APVD		
	BY	DATE
SHEET	DRAWING NUMBER	SHT 1 OF 1
A	PFS15035	REV