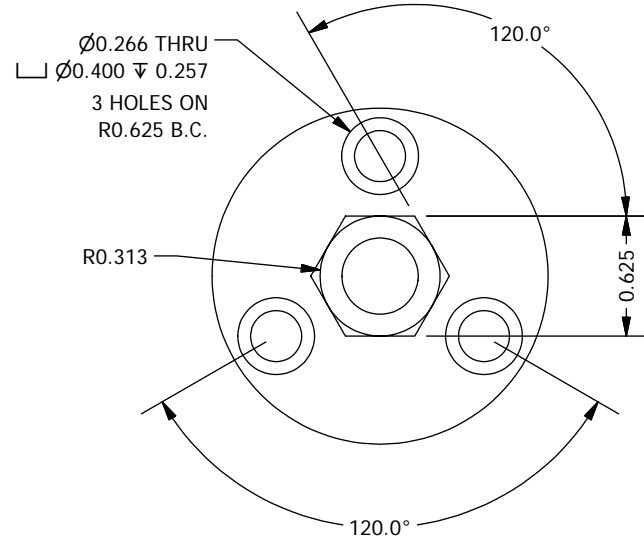
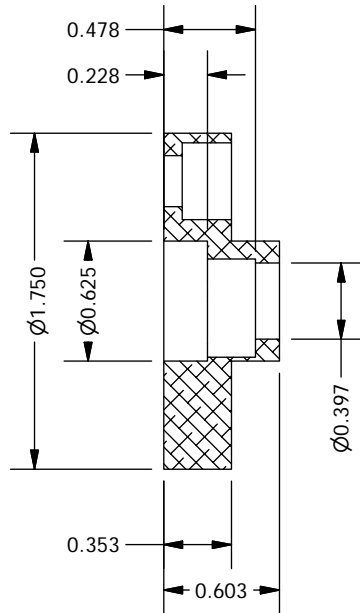
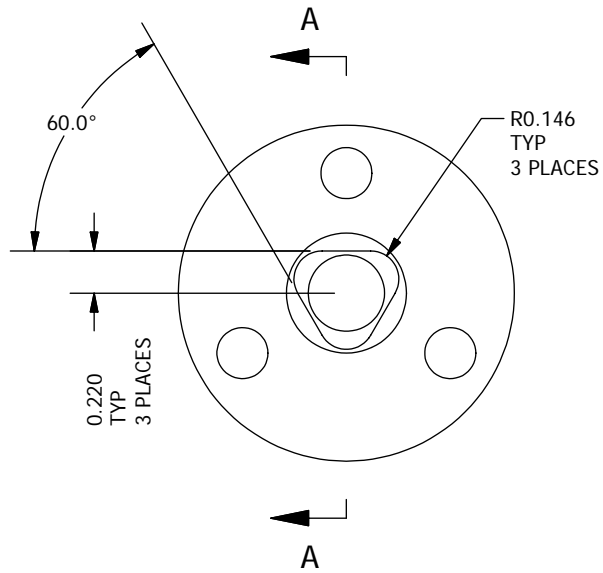


2

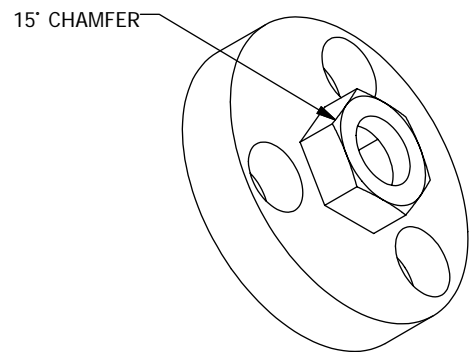
1



SECTION A-A

NOTES

- 1. Anodize black



THE OBSERVATORIES
OF THE CARNEGIE INSTITUTION OF WASHINGTON
813 Santa Barbara Street
Pasadena, CA 91101

MATERIAL		Aluminum-6061		UNLESS OTHERWISE SPECIFIED FRACTIONAL DECIMAL ANGULAR +/- 1/32 .XX +/- 0.01 +/- 0.1 DEG .XXX +/- 0.002 GOAL .XXX +/- 0.005 REQD BREAK SHARP EDGES MACHINED SURFACES 125 ALL DIMENSIONS IN INCHES		
EST WEIGHT		1.1 oz		SCALE		
SCALE		1:1		P lanet F inder S pectrograph		
DWN		CRANE		2/28/2007		SHEET DRAWING NUMBER A PFS15022
APVD		BY		DATE		
Bill of Material				SHT 1 OF 1		REV

1	1	PFS15022
ITEM	QTY	DESCRIPTION
Bill of Material		

2

1