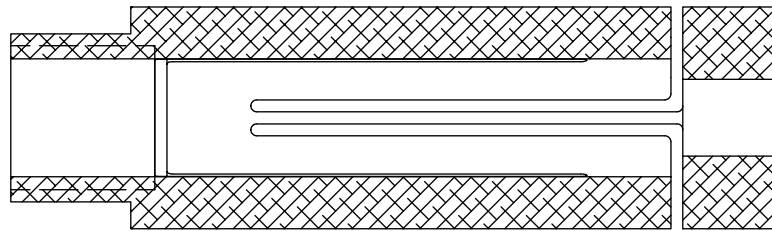
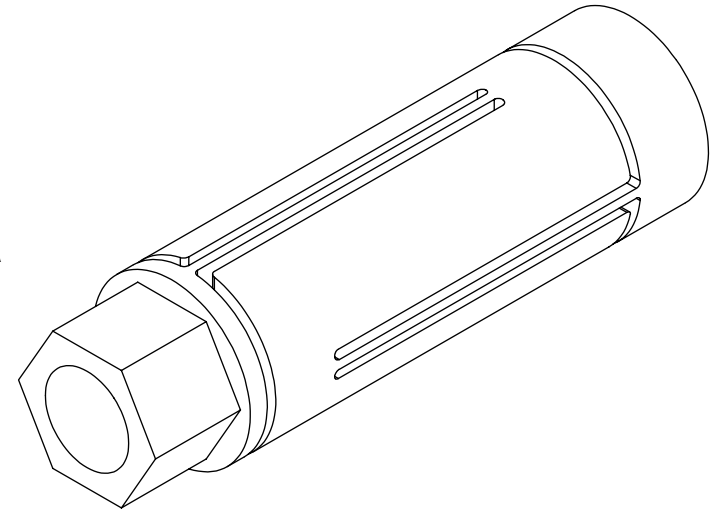
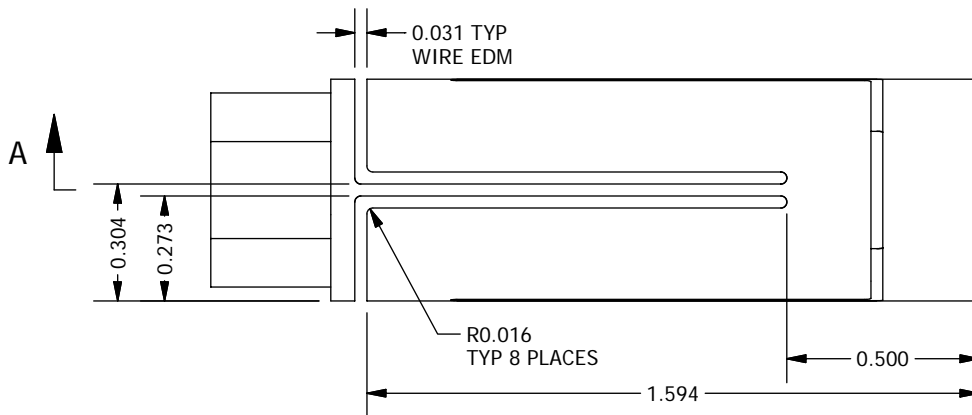
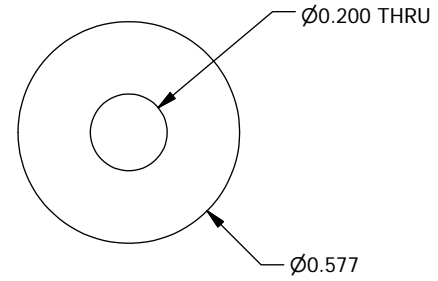
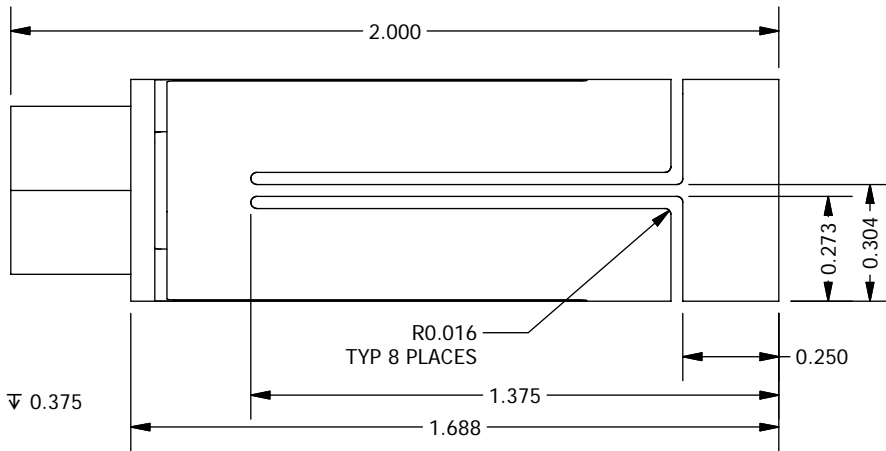


Ø0.313 ∇ 1.750
3/8-16 UNC - 2B ∇ 0.375

0.438



SECTION A-A

1	1	PFS15020
ITEM	QTY	DESCRIPTION
Bill of Material		

THE OBSERVATORIES
OF THE CARNEGIE INSTITUTION OF WASHINGTON
813 Santa Barbara Street
Pasadena, CA 91101

MATERIAL		UNLESS OTHERWISE SPECIFIED		
Bronze		FRACTIONAL +/- 1/32	DECIMAL .XX +/- 0.01	ANGULAR +/- 0.1 DEG
EST WEIGHT		.XXX +/- 0.002 GOAL .XXX +/- 0.005 REQD		
1.6 oz		BREAK SHARP EDGES MACHINED SURFACES 125 \checkmark ALL DIMENSIONS IN INCHES		
SCALE		2:1		P lanet F inder S pectrograph
				CCD 2-axis Piston Flexure
DWN	CRANE	5/11/2007		SHEET DRAWING NUMBER
APVD				
		BY	DATE	A
				DRAWING NUMBER PFS15020
				SHT 1 OF 1
				REV 1