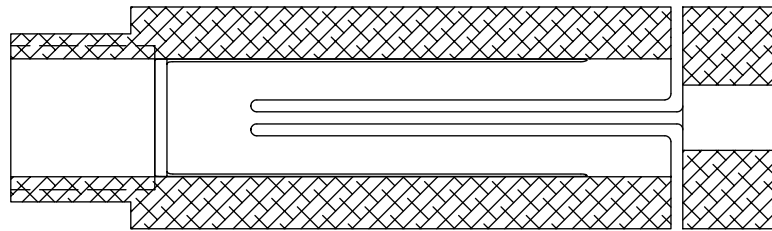
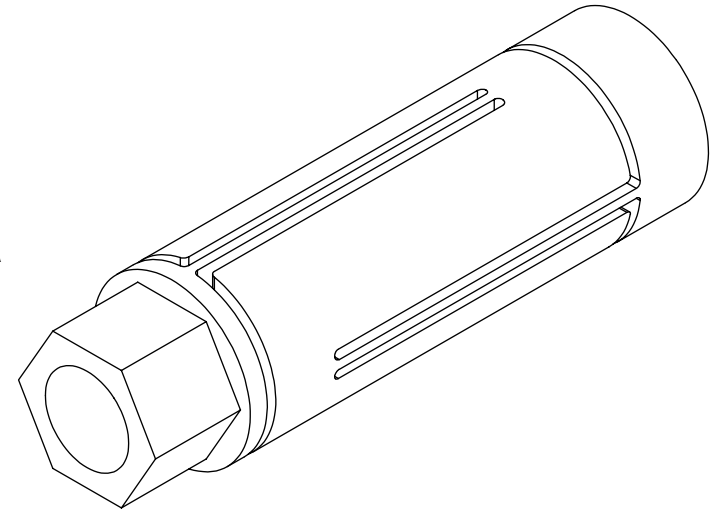
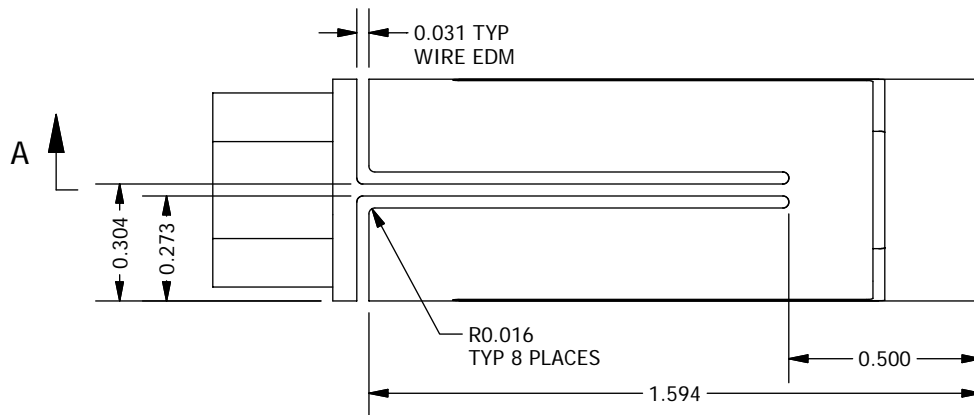
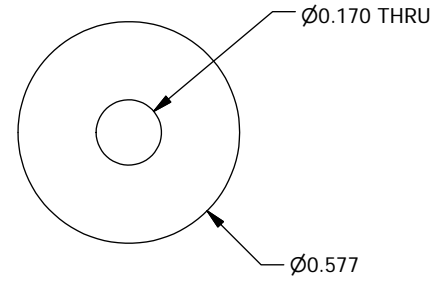
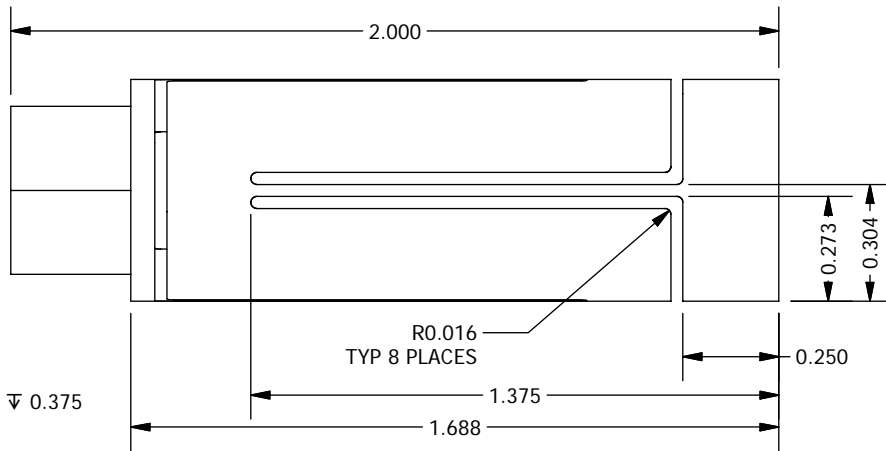


Ø0.313 ∇ 1.750
3/8-16 UNC - 2B ∇ 0.375



SECTION A-A

ITEM	QTY	DESCRIPTION
1	1	PFS15020
Bill of Material		

THE OBSERVATORIES
OF THE CARNEGIE INSTITUTION OF WASHINGTON
813 Santa Barbara Street
Pasadena, CA 91101

MATERIAL		UNLESS OTHERWISE SPECIFIED		
Bronze		FRACTIONAL +/- 1/32	DECIMAL .XX +/- 0.01	ANGULAR +/- 0.1 DEG
EST WEIGHT		.XXX +/- 0.002 GOAL .XXX +/- 0.005 REQD		
1.6 oz		BREAK SHARP EDGES MACHINED SURFACES 125 \checkmark ALL DIMENSIONS IN INCHES		
SCALE		2:1		P lanet F inder S pectrograph
DWN		CRANE	2/28/2007	CCD 2-axis Piston Flexure
APVD				
BY		DATE		SHEET
				A
				DRAWING NUMBER
				PFS15020
				SHT 1
				OF 1
				REV