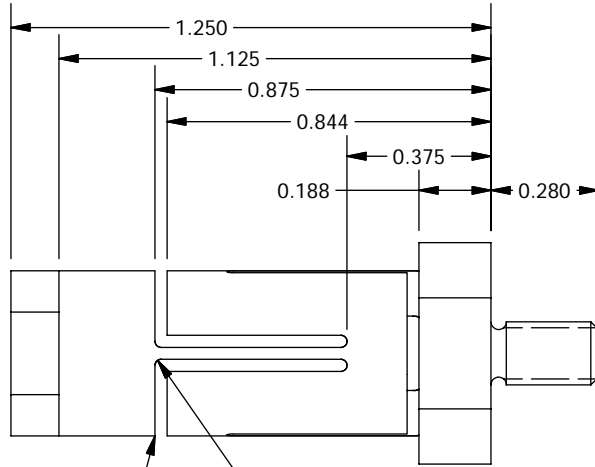


Ø0.201 ∇ 1.063
1/4-20 UNC - 2B ∇ 0.375



WIRE EDM

R0.016
TYP
6 PLACES

R0.016
TYP
6 PLACES

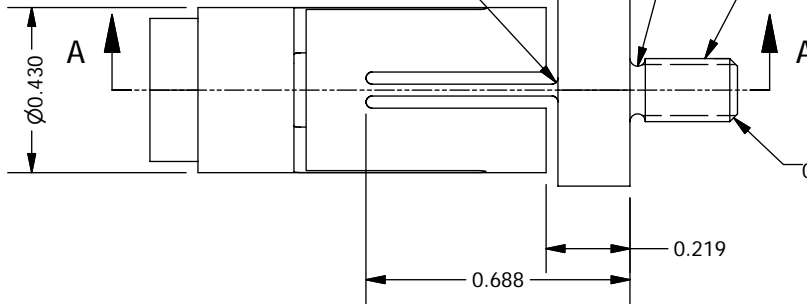
THD RELIEF
AS NECESSARY

8-32 UNC - 2A

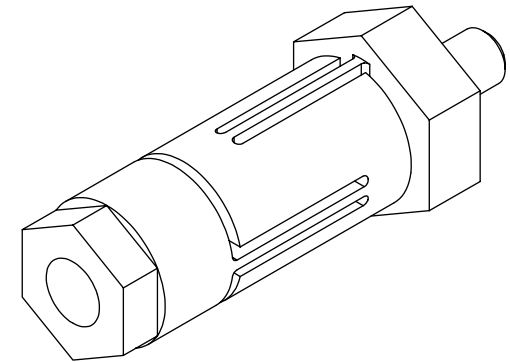
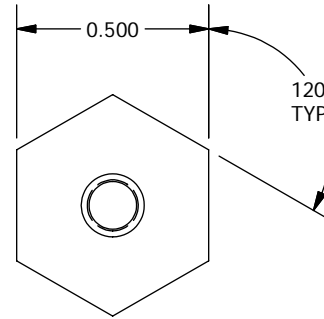
0.02 x 45°

0.219

0.688



SECTION A-A



THE OBSERVATORIES
OF THE CARNEGIE INSTITUTION OF WASHINGTON
813 Santa Barbara Street
Pasadena, CA 91101

MATERIAL	Bronze	UNLESS OTHERWISE SPECIFIED		
EST WEIGHT	0.7 oz	FRACTIONAL +/- 1/32	DECIMAL .XX +/- 0.01	ANGULAR +/- 0.1 DEG
SCALE	2:1	.XXX +/- 0.002 GOAL .XXX +/- 0.005 REQD BREAK SHARP EDGES MACHINED SURFACES 125° ALL DIMENSIONS IN INCHES		

P lanet
F inder
S pectrograph

CCD 2-axis Piston
Flexure

1	1	PFS15020
ITEM	QTY	DESCRIPTION
Bill of Material		

DWN	CRANE	2/22/2007	SHEET	DRAWING NUMBER	SHT 1	REV
APVD	BY	DATE	A	PFS15020	OF 1	