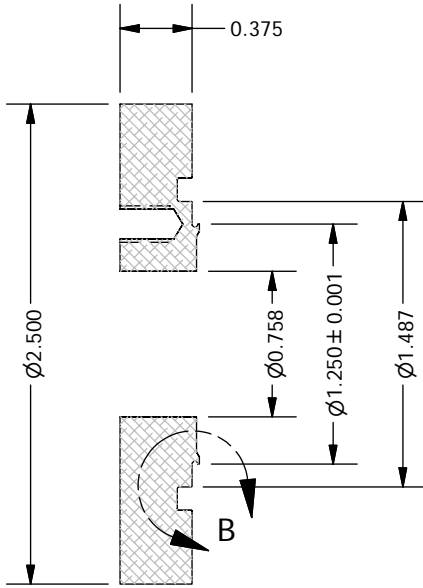
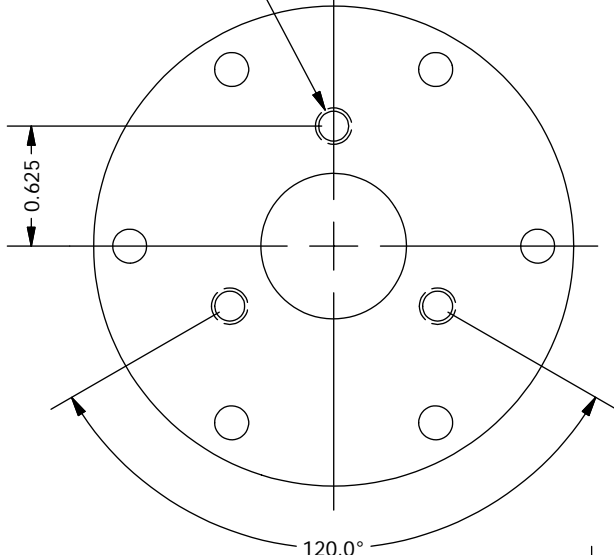


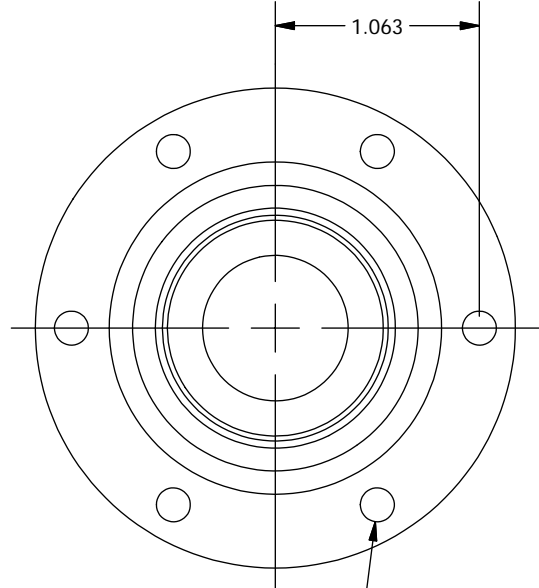
2

1

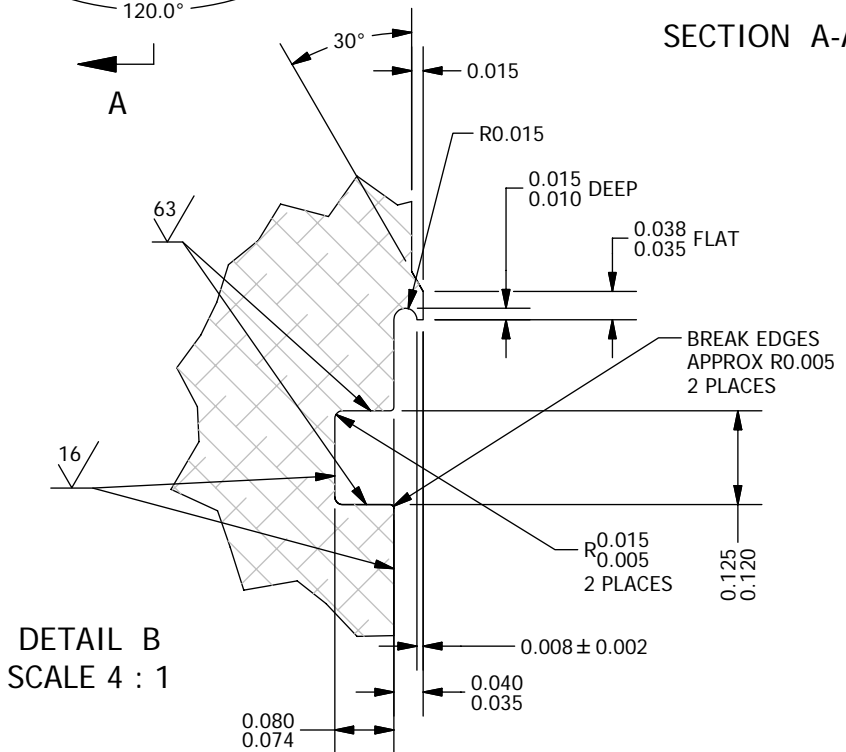
$\varnothing 0.157 \nabla 0.280$
 10-32 UNF - 2B $\nabla 0.260$
 3 HOLES ON R0.625 B.C.



SECTION A-A



$\varnothing 0.177$ THRU
 6 HOLES ON R1.063 B.C.



DETAIL B
SCALE 4 : 1

1	2	CCD Bellows Rear Attachment	
ITEM	QTY	DESCRIPTION	
Bill of Material			
THE OBSERVATORIES OF THE CARNEGIE INSTITUTION OF WASHINGTON 813 Santa Barbara Street Pasadena, CA 91101			
MATERIAL		UNLESS OTHERWISE SPECIFIED	
347SS		FRACTIONAL	DECIMAL ANGULAR
		+/- 1/32	.XX +/- 0.01 +/- 0.1 DEG
EST WEIGHT		.XXX +/- 0.002 GOAL	
7.4 oz		.XXX +/- 0.005 REQD	
SCALE		BREAK SHARP EDGES MACHINED SURFACES 125 ✓	
1:1		ALL DIMENSIONS IN INCHES	
		P lanet F nder S pectrograph	CCD Bellows Rear Attachment
DWN	CRANE	4/3/2007	
APVD			
	BY	DATE	
SHEET	DRAWING NUMBER		SHT 1 REV
A	PFS15019		OF 1 1

2

1