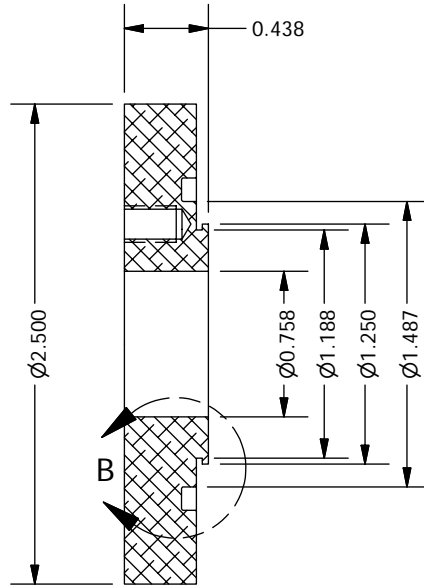
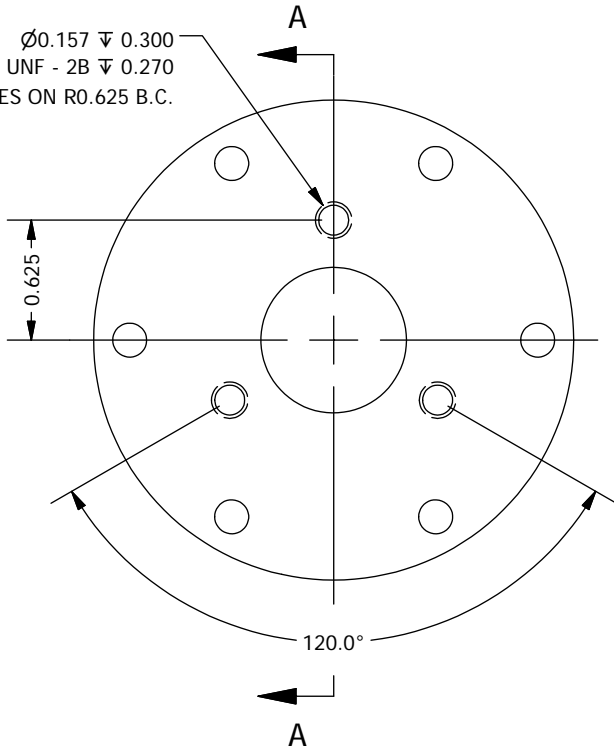


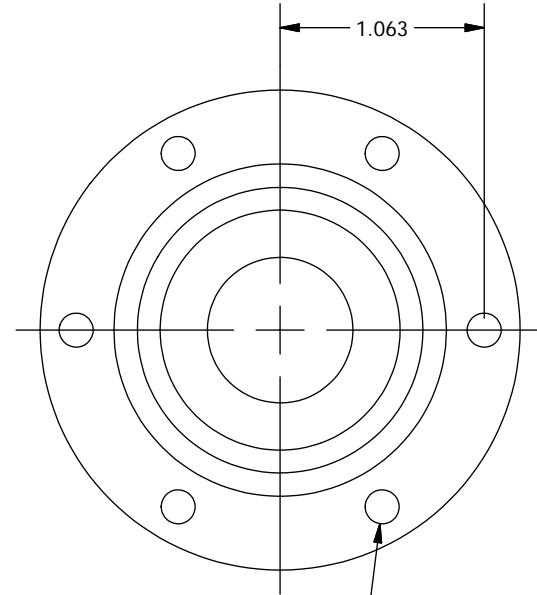
2

1

Ø0.157 ± 0.300  
10-32 UNF - 2B ± 0.270  
3 HOLES ON R0.625 B.C.

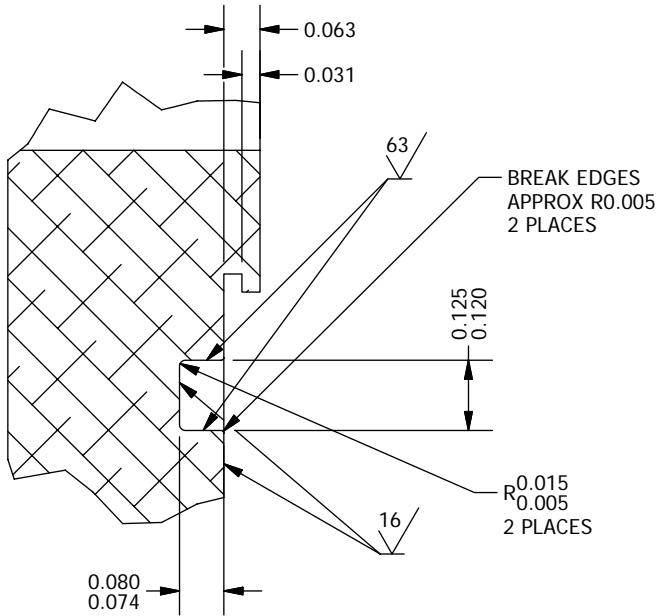


SECTION A-A



Ø0.177 THRU  
6 HOLES ON R1.063 B.C.

DETAIL B  
SCALE 3 : 1



1	1	CCD Bellows Rear Attachment			
ITEM	QTY	DESCRIPTION			
Bill of Material					
<b>THE OBSERVATORIES OF THE CARNEGIE INSTITUTION OF WASHINGTON</b> 813 Santa Barbara Street Pasadena, CA 91101					
MATERIAL	347SS	UNLESS OTHERWISE SPECIFIED FRACTIONAL DECIMAL ANGULAR +/- 1/32 .XX +/- 0.01 +/- 0.1 DEG			
EST WEIGHT	7.4 oz	.XXX +/- 0.002 GOAL .XXX +/- 0.005 REQD BREAK SHARP EDGES MACHINED SURFACES 125√ ALL DIMENSIONS IN INCHES			
SCALE	1:1	P lanet F nder S pectrograph CCD Bellows Rear Attachment			
DWN	CRANE		1/30/2007		
APVD		SHEET	DRAWING NUMBER	SHT 1	REV
	BY	DATE	A	PFS15019	OF 1

2

1