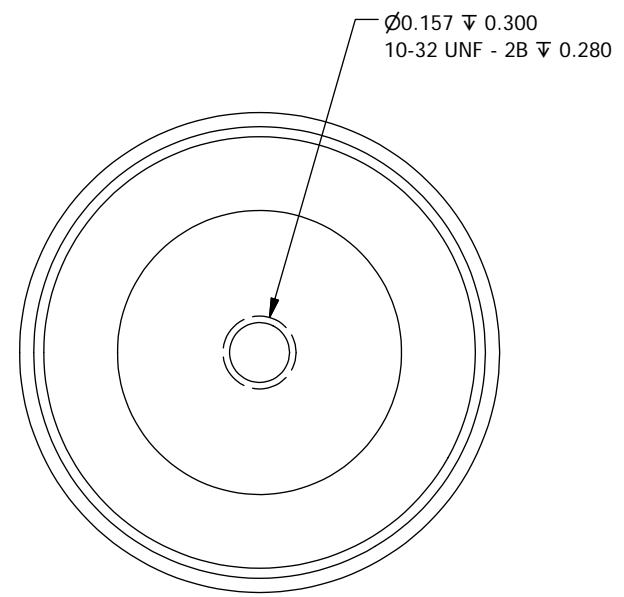
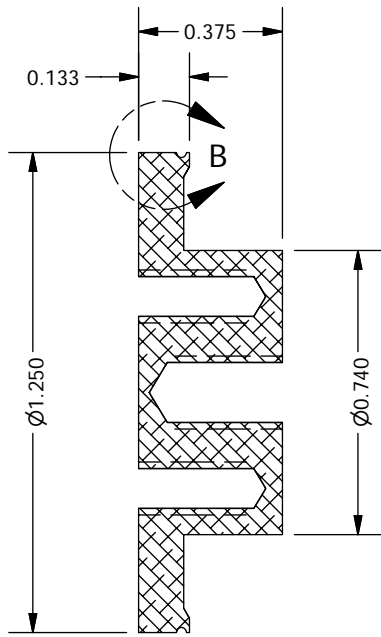
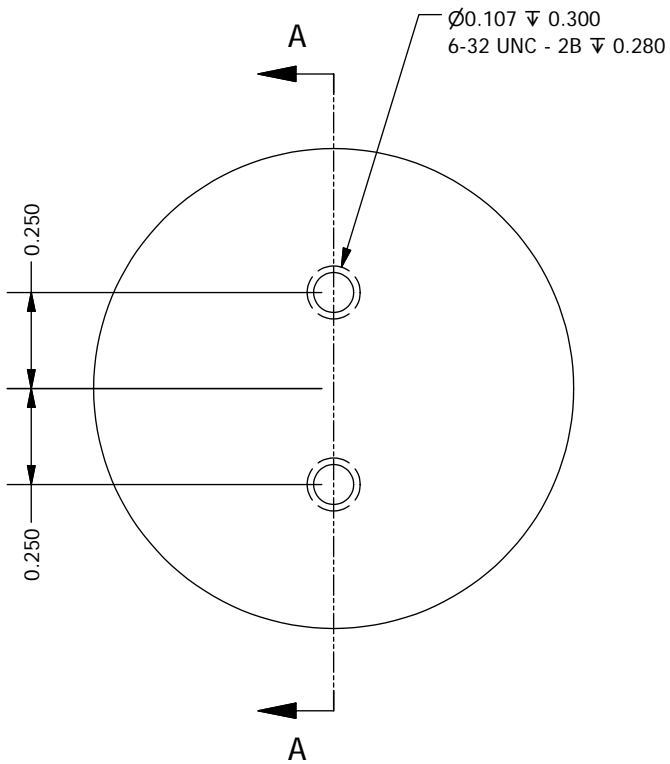
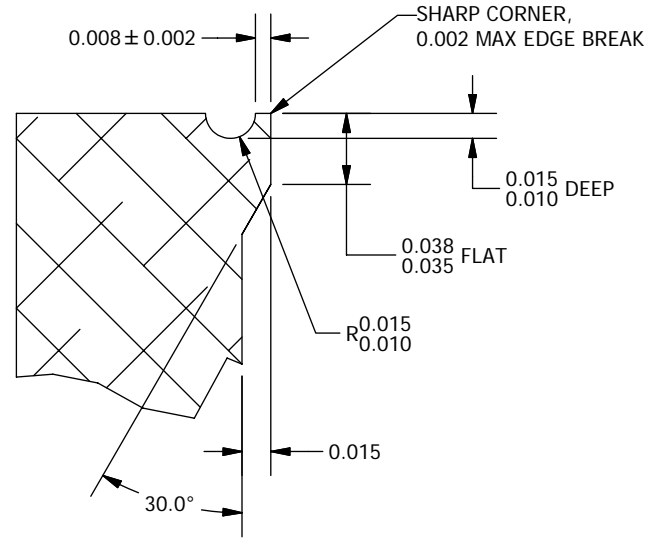


2

1



DETAIL B  
SCALE 10 : 1



1	2	CCD Bellows Front Attachment	
ITEM	QTY	DESCRIPTION	
Bill of Material			
<b>THE OBSERVATORIES OF THE CARNEGIE INSTITUTION OF WASHINGTON</b> 813 Santa Barbara Street Pasadena, CA 91101			
MATERIAL	347SS	UNLESS OTHERWISE SPECIFIED FRACTIONAL DECIMAL ANGULAR +/- 1/32 .XX +/- 0.01 +/- 0.1 DEG .XXX +/- 0.002 GOAL .XXX +/- 0.005 REQD BREAK SHARP EDGES MACHINED SURFACES 125 ✓ ALL DIMENSIONS IN INCHES	
EST WEIGHT	1.2 oz		
SCALE	2:1	P lanet F nder S pectrograph	CCD Bellows Front Attachment
DWN	CRANE		
APVD		SHEET	DRAWING NUMBER
	BY	DATE	
		A	PFS15017
		SHT 1 OF 1	REV 2

2

1