

2

1

Ø0.107 ± 0.300  
6-32 UNC - 2B ± 0.280

Ø0.136 ± 0.300  
8-32 UNC - 2B ± 0.280

A

A

0.250  
0.250

0.133

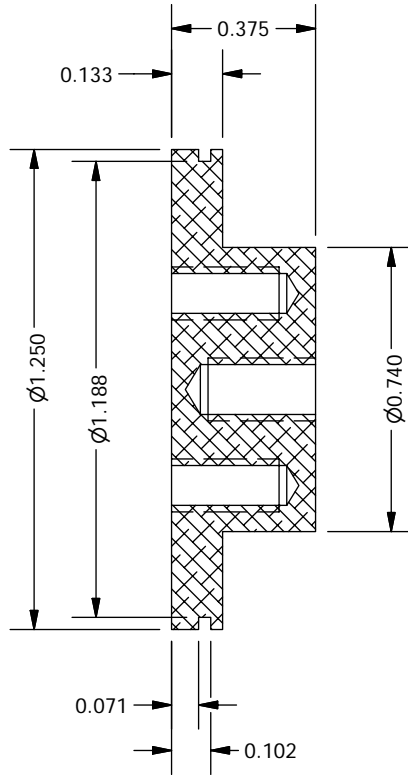
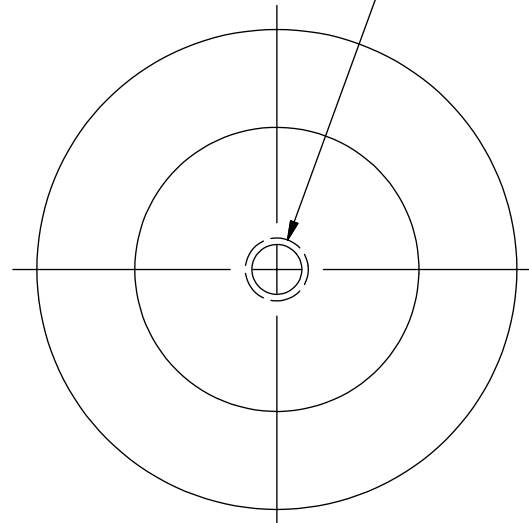
0.375

Ø1.250  
Ø1.188

Ø0.740

0.071

0.102



THE OBSERVATORIES  
OF THE CARNEGIE INSTITUTION OF WASHINGTON  
813 Santa Barbara Street  
Pasadena, CA 91101

MATERIAL	347SS	UNLESS OTHERWISE SPECIFIED FRACTIONAL DECIMAL ANGULAR +/- 1/32 .XX +/- 0.01 +/- 0.1 DEG .XXX +/- 0.002 GOAL .XXX +/- 0.005 REQD BREAK SHARP EDGES MACHINED SURFACES 125 ✓ ALL DIMENSIONS IN INCHES		
EST WEIGHT	1.1 oz			

SCALE	2:1	P lanet F inder S pectrograph	CCD Bellows Front Attachment
DWN	CRANE		

1	2	CCD Bellows Front Attachment
ITEM	QTY	DESCRIPTION
Bill of Material		

APVD		SHEET	DRAWING NUMBER	SHT 1	REV
		A	PFS15017	OF 1	
	BY	DATE			

2

1