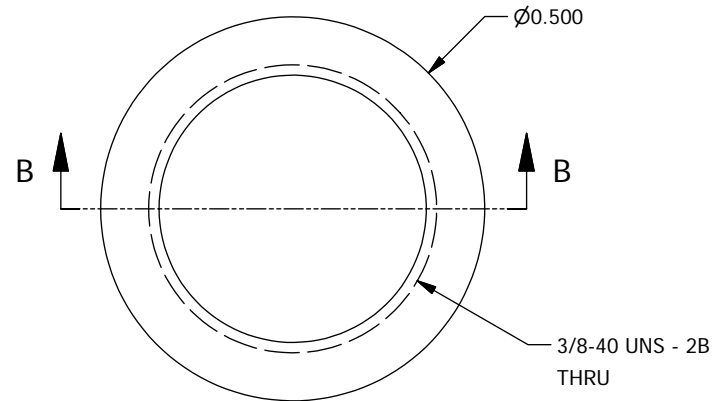
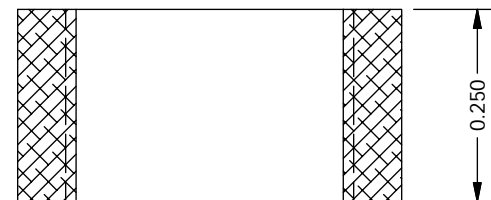
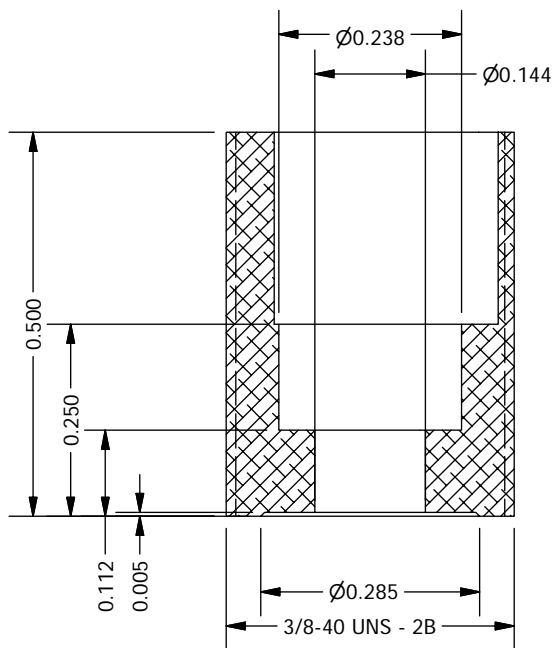


PFS15011
 CCD Platten
 Adjustment Post



PFS15012
 CCD Platten Adjustment
 Post Receiver



NOTES

1. Designed by Thompson & Burley

1	3	PFS15011 - 304SS
2	3	PFS15012 - Brass
ITEM	QTY	DESCRIPTION
Bill of Material		

<p align="center">THE OBSERVATORIES OF THE CARNEGIE INSTITUTION OF WASHINGTON 813 Santa Barbara Street Pasadena, CA 91101</p>					
MATERIAL		UNLESS OTHERWISE SPECIFIED FRACTIONAL DECIMAL ANGULAR +/- 1/32 .XX +/- 0.01 +/- 0.1 DEG .XXX +/- 0.002 GOAL .XXX +/- 0.005 REQD BREAK SHARP EDGES MACHINED SURFACES 125 ✓ ALL DIMENSIONS IN INCHES			
EST WEIGHT					
SCALE		4:1			
		P lanet F inder S pectrograph		CCD Platten Adjustment Hardware	
DWN	CRANE	2/28/2007			
APVD				SHEET	DRAWING NUMBER
	BY	DATE	A	PFS15011-12	SHT 1 OF 1
					REV