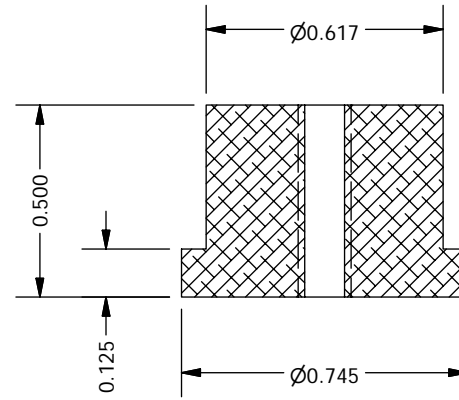
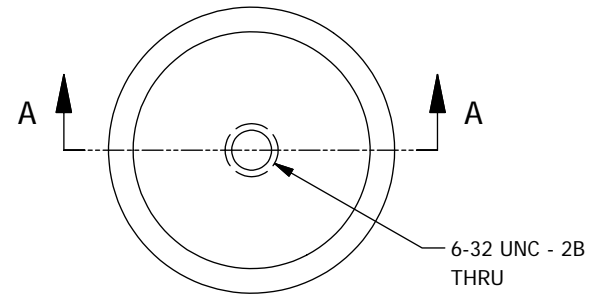


PFS15008  
 CCD Insulating  
 Standoff Bottom Cap



PFS15009  
 CCD Insulating  
 Standoff Top Cap

**NOTES**

1. Designed by Thompson and Burley

ITEM	QTY	DESCRIPTION
1	3	PFS15008
2	3	PFS15009
Bill of Material		

**THE OBSERVATORIES  
 OF THE CARNEGIE INSTITUTION OF WASHINGTON**  
 813 Santa Barbara Street  
 Pasadena, CA 91101

MATERIAL		UNLESS OTHERWISE SPECIFIED		
304SS		FRACTIONAL	DECIMAL	ANGULAR
EST WEIGHT		+/- 1/32	.XX +/- 0.01	+/- 0.1 DEG
SCALE		.XXX +/- 0.002 GOAL		
2:1		.XXX +/- 0.005 REQD		
		BREAK SHARP EDGES MACHINED SURFACES 125 ✓ ALL DIMENSIONS IN INCHES		
		Planet Finder Spectrograph		CCD Insulating Standoff Caps
DWN	CRANE	8/28/2007		
APVD			SHEET	DRAWING NUMBER
BY		DATE		A
		PFS15008to9		SHT 1 OF 1
				REV 1