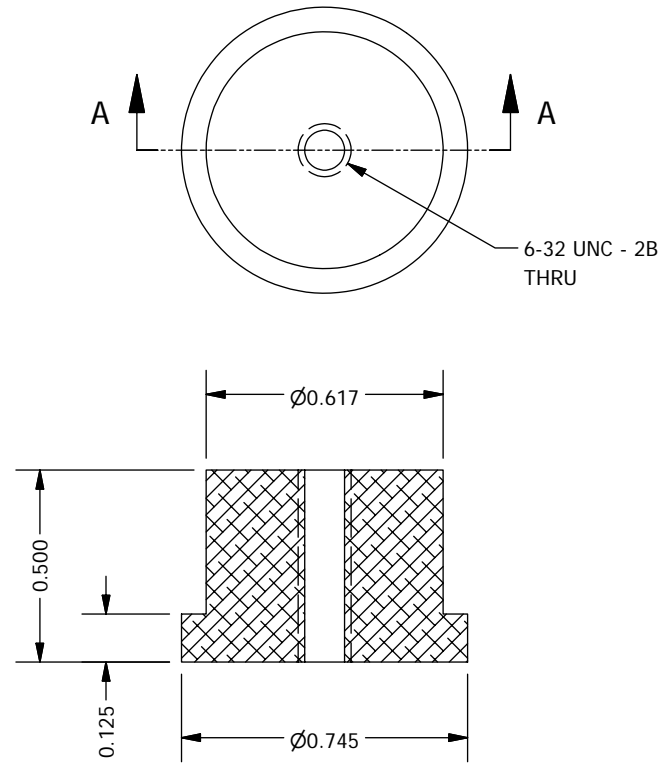


PFS15008
 CCD Insulating
 Standoff Bottom Cap



PFS15009
 CCD Insulating
 Standoff Top Cap

NOTES

1. Designed by Thompson and Burley

1	3	PFS15008
2	3	PFS15009
ITEM	QTY	DESCRIPTION
Bill of Material		

THE OBSERVATORIES OF THE CARNEGIE INSTITUTION OF WASHINGTON 813 Santa Barbara Street Pasadena, CA 91101					
MATERIAL		UNLESS OTHERWISE SPECIFIED			
304SS		FRACTIONAL	DECIMAL	ANGULAR	
		+/- 1/32	.XX +/- 0.01	+/- 0.1 DEG	
EST WEIGHT		.XXX +/- 0.002 GOAL .XXX +/- 0.005 REQD			
SCALE		BREAK SHARP EDGES MACHINED SURFACES 125 ✓ ALL DIMENSIONS IN INCHES			
2:1		P lanet F nder S pectrograph		CCD Insulating Standoff Caps	
DWN	CRANE	2/28/2007		SHEET	DRAWING NUMBER
APVD	BY	DATE	A	PFS15008to9	SHT 1 OF 1
			REV		