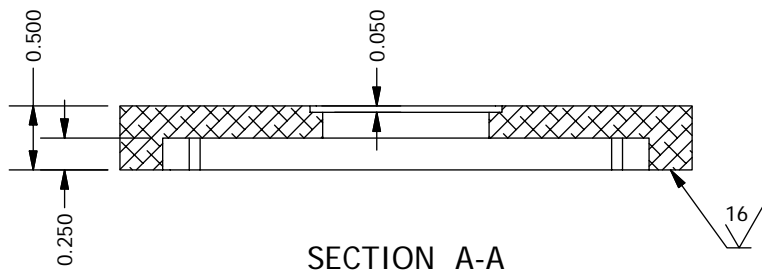
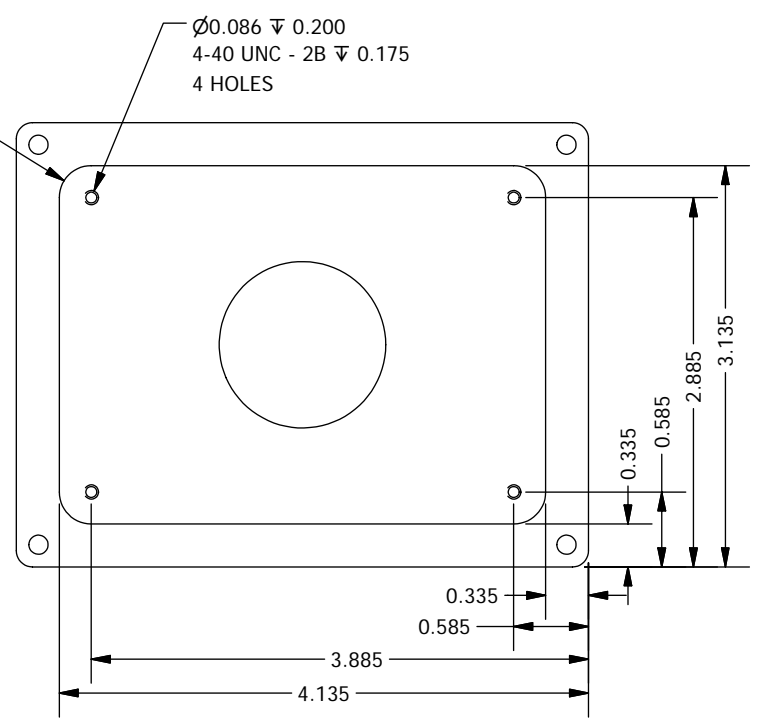
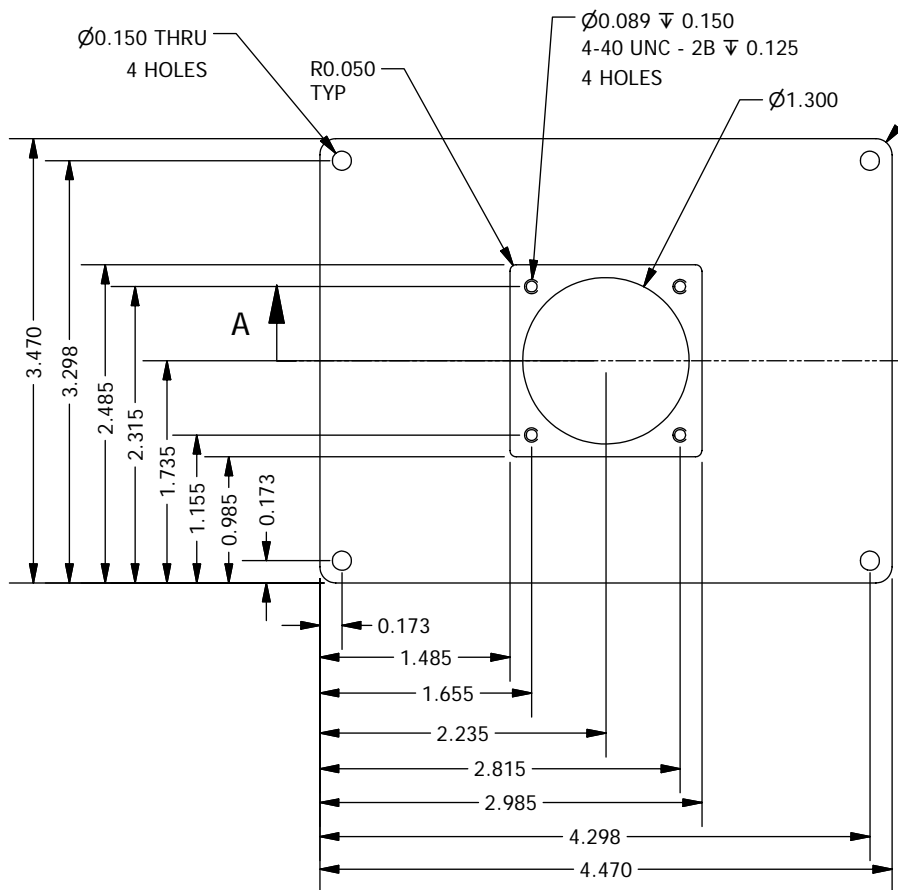


2

1



NOTES
 1. Anodize black

1	1	PFS15002		
ITEM	QTY	DESCRIPTION		
Bill of Material				
THE OBSERVATORIES OF THE CARNEGIE INSTITUTION OF WASHINGTON 813 Santa Barbara Street Pasadena, CA 91101				
MATERIAL		UNLESS OTHERWISE SPECIFIED FRACTIONAL DECIMAL ANGULAR +/- 1/32 .XX +/- 0.01 +/- 0.1 DEG .XXX +/- 0.002 GOAL .XXX +/- 0.005 REQD BREAK SHARP EDGES MACHINED SURFACES 125 ✓ ALL DIMENSIONS IN INCHES		
EST WEIGHT		7.3 oz		
SCALE		2:3		
		P lanet F inder S pectrograph		CCD Head Side Plate
DWN	CRANE	2/28/2007		
APVD		SHEET	DRAWING NUMBER	SHT 1 REV
	BY	DATE	A PFS15002	OF 1

2

1