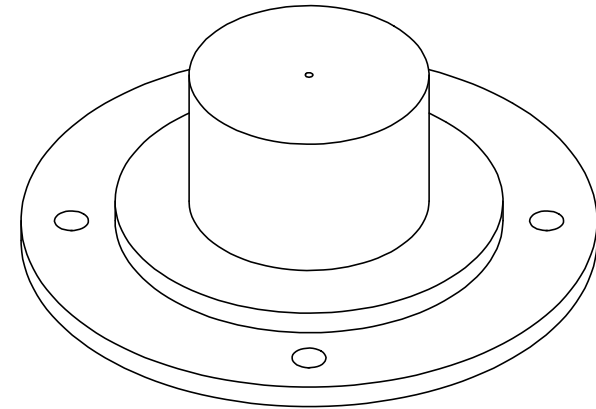


SECTION A-A

D:\PFS\Solidworks\Alignment\CCDmount-pinhole



Notes

Adjust 2.020 diameter for slip fit to 2.020 diameter on PFS14023

ITEM	PART NUMBER	DESCRIPTION	QTY.
1	PFS14025	CCD camera mount reference pinhole	1

THE OBSERVATORIES
OF THE CARNEGIE INSTITUTION FOR SCIENCE
813 Santa Barbara Street
Pasadena, CA 91101

MATERIAL		UNLESS OTHERWISE SPECIFIED	
Al 6061-T6		FRACTIONAL	DECIMAL
		± 1/32	.XX ± 0.01
EST WEIGHT		ANGULAR	
0.144		± 0.1 DEG	
SCALE		.XXX ± 0.002 GOAL	
1:1		.XXX ± 0.005 REQD	
		BREAK SHARP EDGES. MACHINED SURFACES	
		ALL DIMENSIONS IN INCHES	
		Planet Finder Spectrograph	CCD camera mount reference pinhole
DRWN	CRANE		10/26/2017
APVD		A	PFS14025