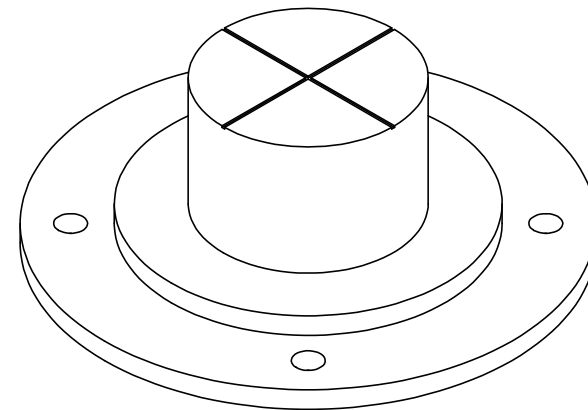
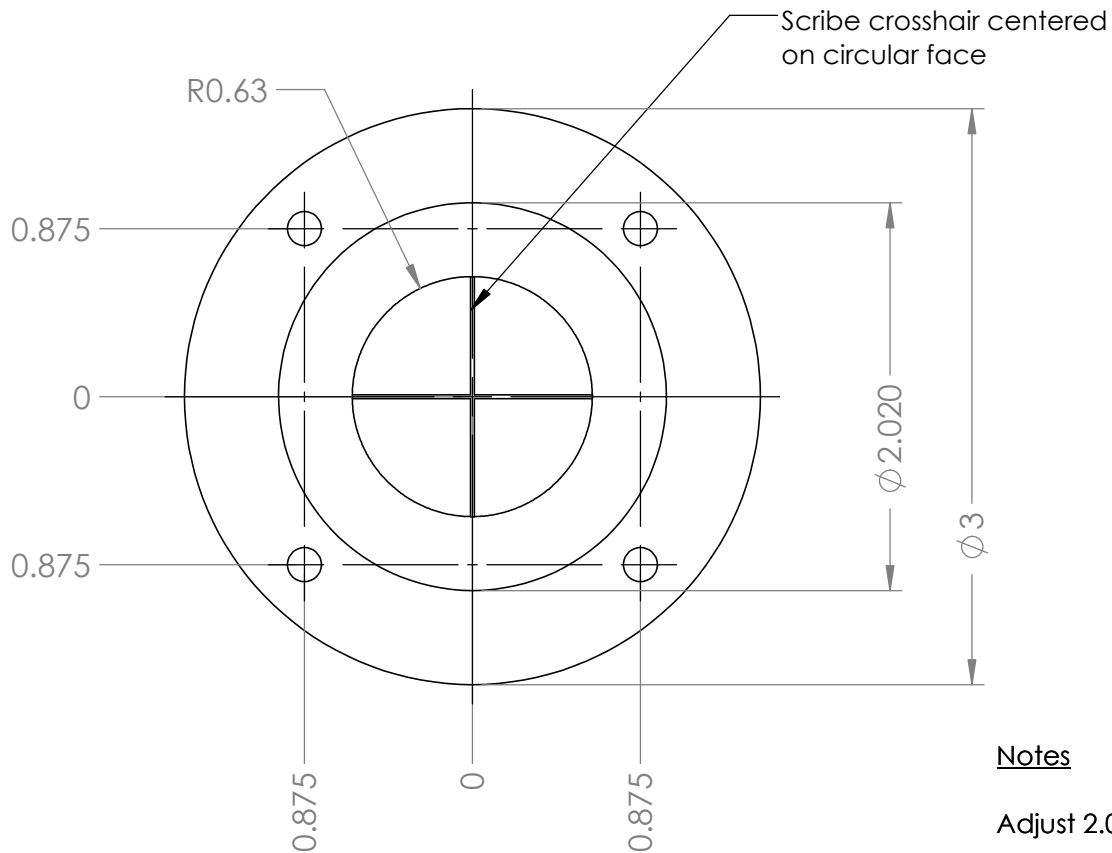


B

B

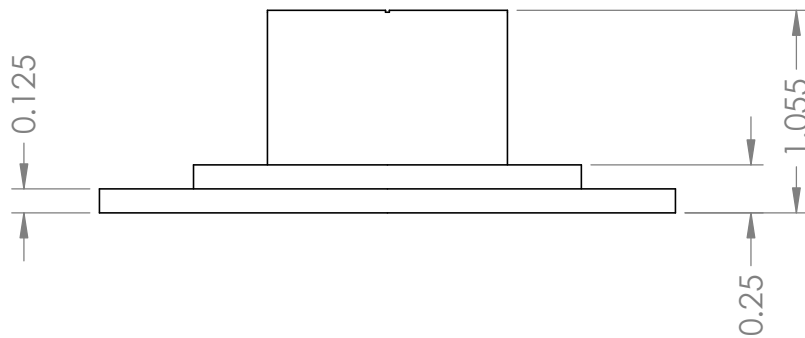


**Notes**

Adjust 2.020 diameter for slip fit to 2.020 diameter on PFS14023

A

A



D:\PFS\Solidworks\Alignment\CCDmount-crosshair

ITEM	PART NUMBER	DESCRIPTION	QTY.
1	PFS14024	CCD camera mount reference crosshair	1

THE OBSERVATORIES  
OF THE CARNEGIE INSTITUTION FOR SCIENCE  
813 Santa Barbara Street  
Pasadena, CA 91101

MATERIAL		UNLESS OTHERWISE SPECIFIED		
Al 6061-T6		FRACTIONAL	DECIMAL	ANGULAR
EST WEIGHT		± 1/32	.XX ± 0.01	± 0.1 DEG
0.220		.XXX ± 0.002 GOAL		
		.XXX ± 0.005 REQD		
SCALE		BREAK SHARP EDGES. MACHINED SURFACES 125/		
1:1		ALL DIMENSIONS IN INCHES		
		Planet Finder Spectrograph		CCD camera mount reference crosshair
DRWN	CRANE	10/26/2017	SHEET	DRAWING
APVD			A	PFS14024
				SHT 1 OF 1
				REV