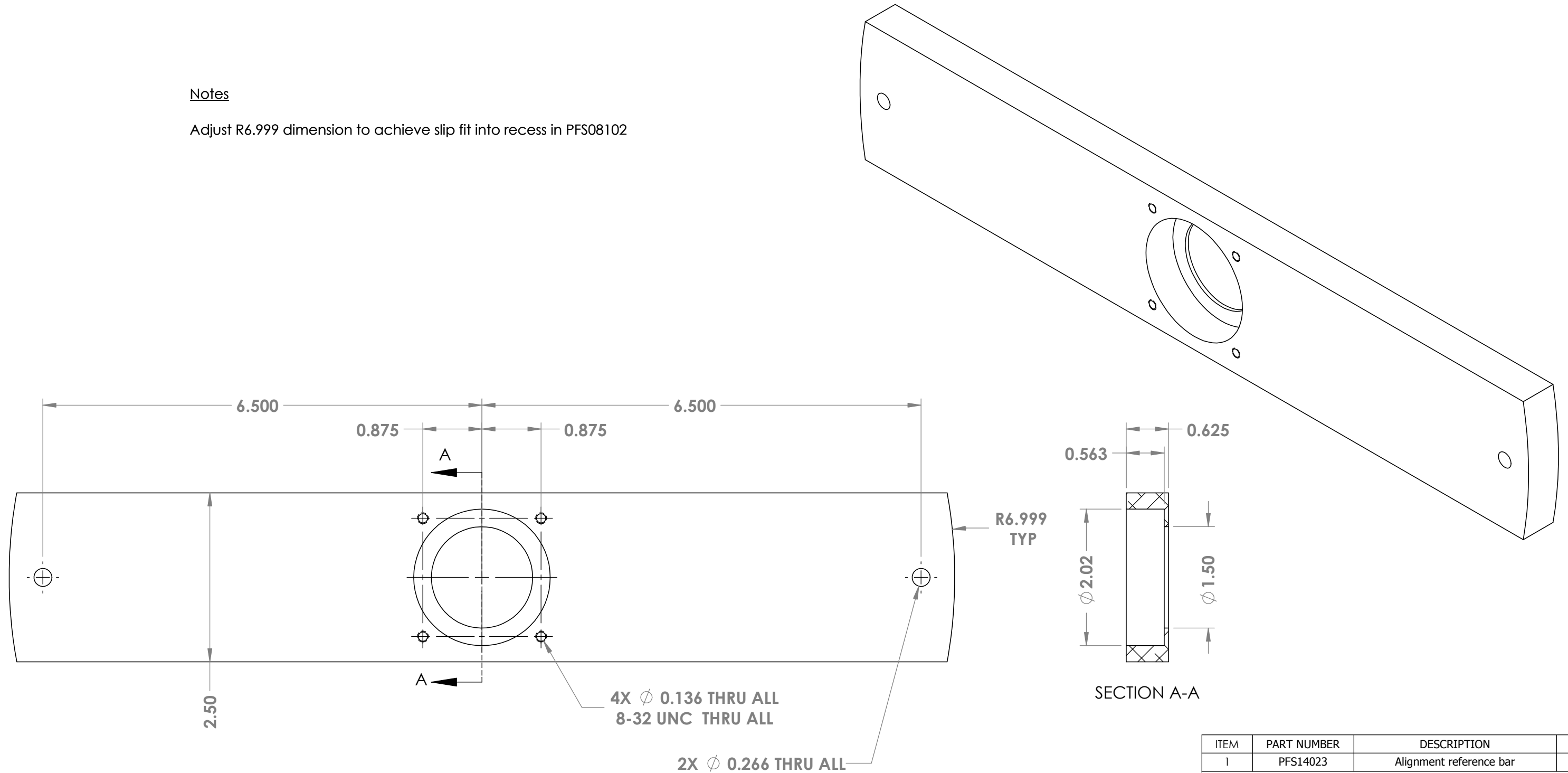


Notes

Adjust R6.999 dimension to achieve slip fit into recess in PFS08102



ITEM	PART NUMBER	DESCRIPTION	QTY.
1	PFS14023	Alignment reference bar	2
THE OBSERVATORIES OF THE CARNEGIE INSTITUTION FOR SCIENCE 813 Santa Barbara Street Pasadena, CA 91101			
MATERIAL		UNLESS OTHERWISE SPECIFIED	
Cast aluminum		FRACTIONAL	DECIMAL
		± 1/32	.XX ± 0.01
EST WEIGHT		ANGULAR	
1.925 lb		± 0.1 DEG	
		.XXX ± 0.002 GOAL	
		.XXX ± 0.005 REQD	
SCALE		BREAK SHARP EDGES. MACHINED SURFACES 125/	
2:3		ALL DIMENSIONS IN INCHES	
		Planet Finder Spectrograph	Alignment reference bar
DRWN	CRANE		
APVD			
SHEET	DRAWING	PFS14023	REV
B			SHT 1 OF 1