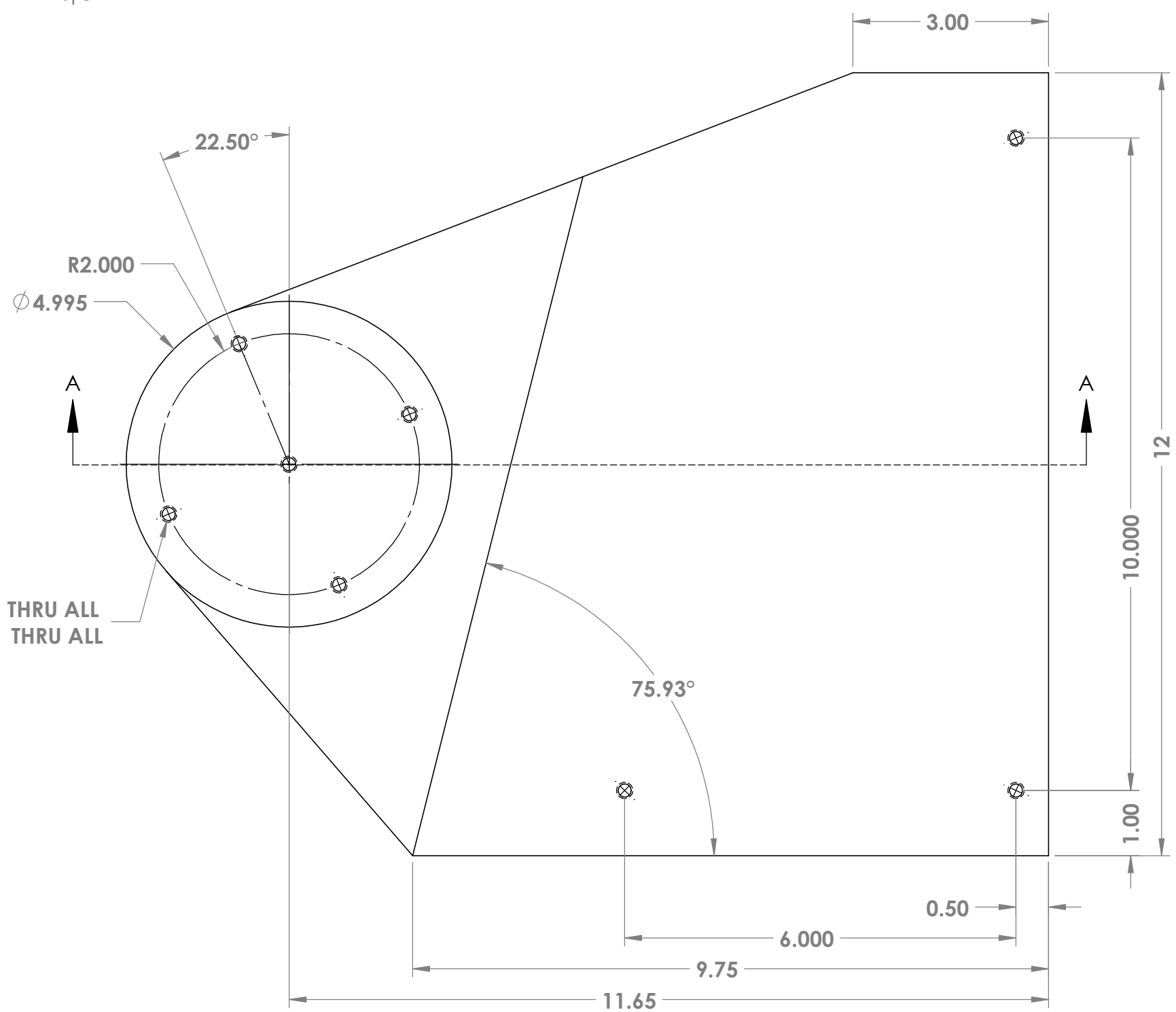
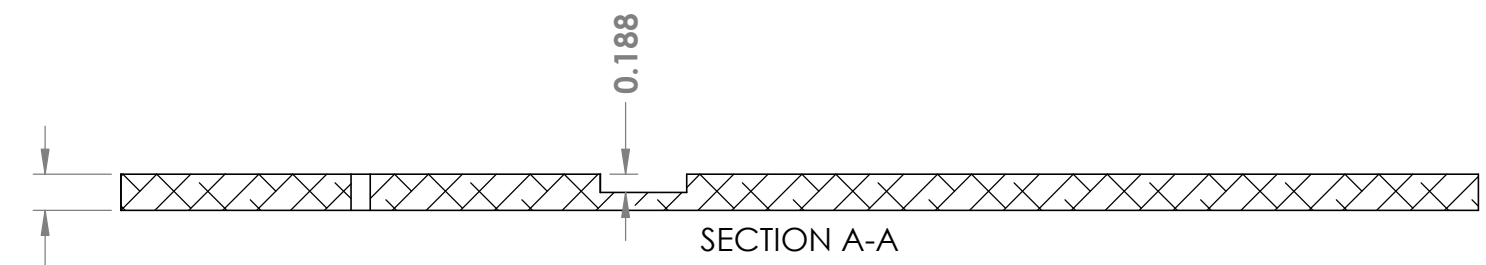


4

3

2

1



8X  $\phi$  0.201 THRU ALL  
1/4-20 UNC THRU ALL

ITEM	PART NUMBER	DESCRIPTION	QTY.
1	PFS14021	Ref Mirror Mount Grating Mount	1
<b>THE OBSERVATORIES OF THE CARNEGIE INSTITUTION FOR SCIENCE</b> 813 Santa Barbara Street Pasadena, CA 91101			
MATERIAL		UNLESS OTHERWISE SPECIFIED	
Al 6061-T6		FRACTIONAL	DECIMAL
		$\pm 1/32$	.XX $\pm 0.01$
EST WEIGHT		ANGULAR	
4.556 lb		$\pm 0.1$ DEG	
		.XXX $\pm 0.002$ GOAL	
		.XXX $\pm 0.005$ REQD	
SCALE		BREAK SHARP EDGES. MACHINED SURFACES 125/	
1:2		ALL DIMENSIONS IN INCHES	
		Planet Finder Spectrograph	Ref Mirror Mount Grating Mount
DRWN	CRANE		
APVD			
SHEET		DRAWING	
B		PFS14021	
		SHT 1 OF 1	
		REV	

4

3

2

1