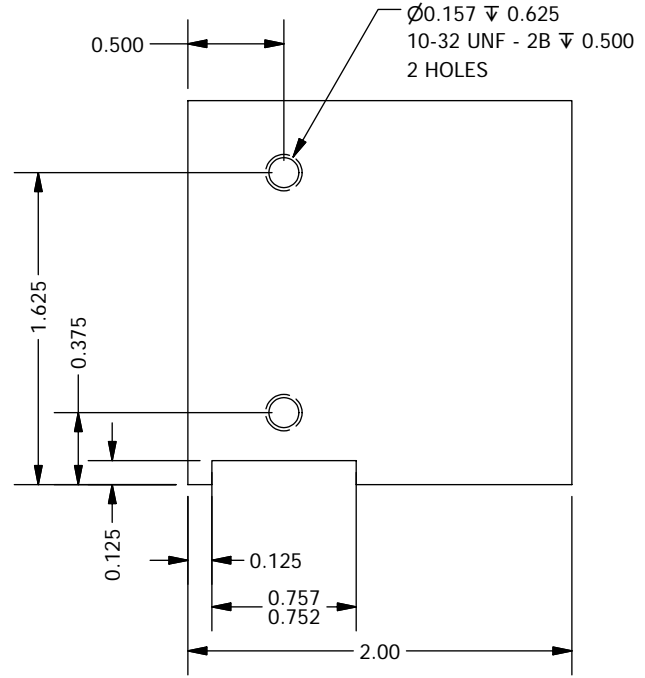
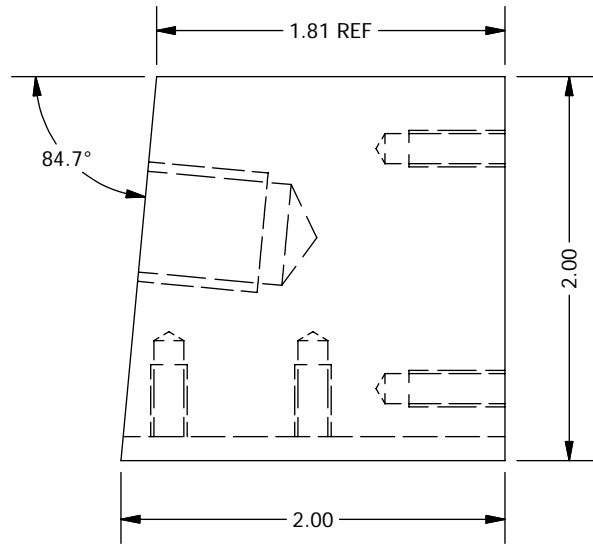
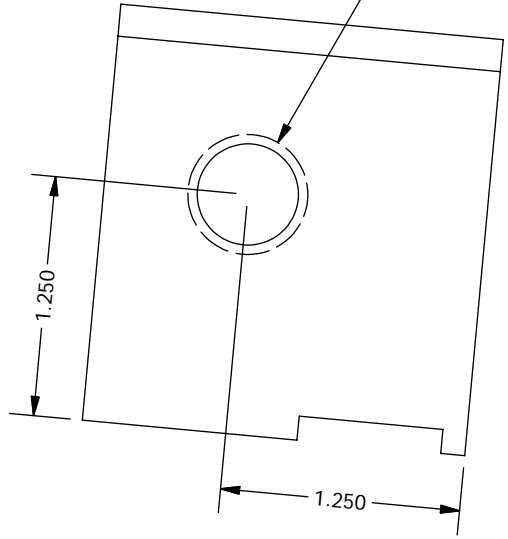


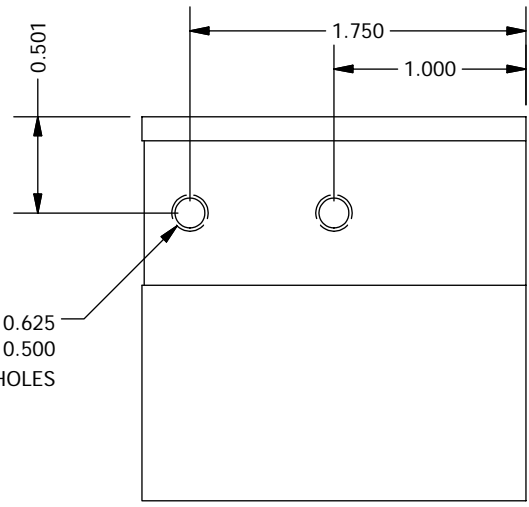
2

1

Ø0.531 ± 0.750
5/8-11 UNC - 2B ± 0.625



Ø0.157 ± 0.625
10-32 UNF - 2B ± 0.500
2 HOLES



1	3	PFS14002
ITEM	QTY	DESCRIPTION
Bill of Material		
THE OBSERVATORIES OF THE CARNEGIE INSTITUTION OF WASHINGTON 813 Santa Barbara Street Pasadena, CA 91101		
MATERIAL	UNLESS OTHERWISE SPECIFIED FRACTIONAL DECIMAL ANGULAR +/- 1/32 .XX +/- 0.01 +/- 0.1 DEG .XXX +/- 0.002 GOAL .XXX +/- 0.005 REQD BREAK SHARP EDGES MACHINED SURFACES 125 ✓ ALL DIMENSIONS IN INCHES	
Aluminum-6061		
EST WEIGHT	11.3 oz	
SCALE	1:1	
P lanet F inder S pectrograph		Large Lens Gluing Support Block
DWN	CRANE	6/4/2006
APVD		
	BY	DATE
SHEET	DRAWING NUMBER	SHT 1
A	PFS14002	OF 1
		REV

2

1