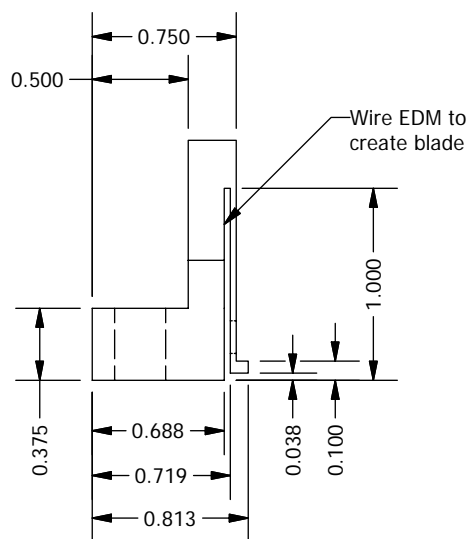
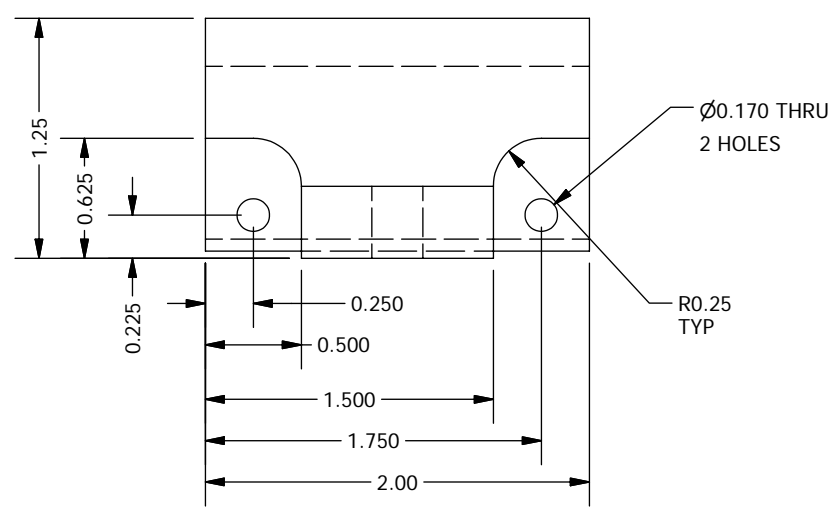
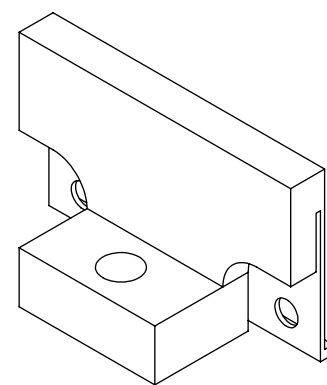
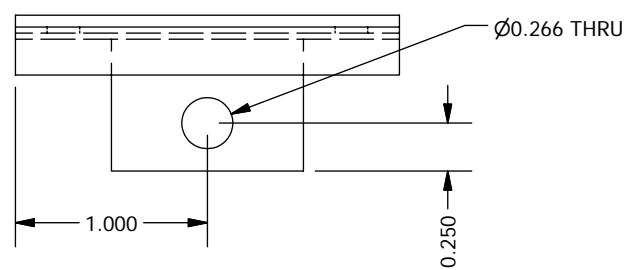


B

B



NOTES
1. Anodize black

| 1 | 3 | PFS12009 |
|------------------|-----|-------------|
| ITEM | QTY | DESCRIPTION |
| Bill of Material | | |

**THE OBSERVATORIES
OF THE CARNEGIE INSTITUTION OF WASHINGTON**
813 Santa Barbara Street
Pasadena, CA 91101

| | | | |
|----------------------------------|-------|--|---|
| MATERIAL Aluminum-6061 | | UNLESS OTHERWISE SPECIFIED FRACTIONAL DECIMAL ANGULAR +/- 1/32 .XX +/- 0.01 +/- 0.1 DEG .XXX +/- 0.002 GOAL .XXX +/- 0.005 REQD BREAK SHARP EDGES MACHINED SURFACES 125 \sqrt ALL DIMENSIONS IN INCHES | |
| EST WEIGHT 1.0 oz | | P lanet F inder S pectrograph Table Top Flexure 2 | |
| SCALE 1:1 | | | |
| DWN | CRANE | 5/13/2006 | SHEET DRAWING NUMBER A PFS12009 |
| APVD | BY | DATE | |
| | | SHT 1 OF 1 | |
| | | REV | |

A

A