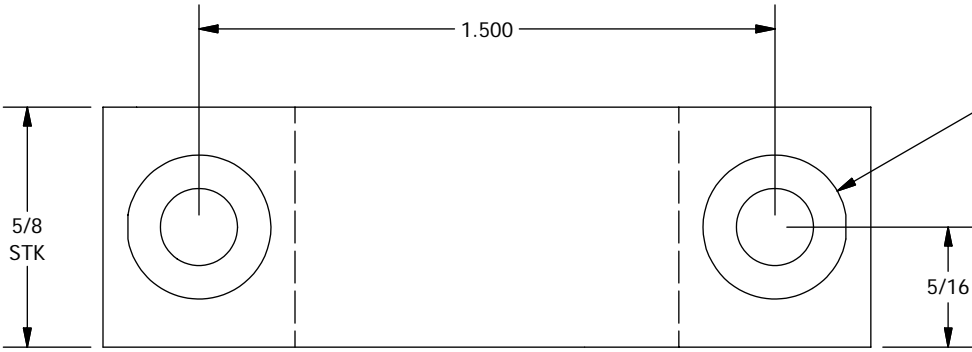
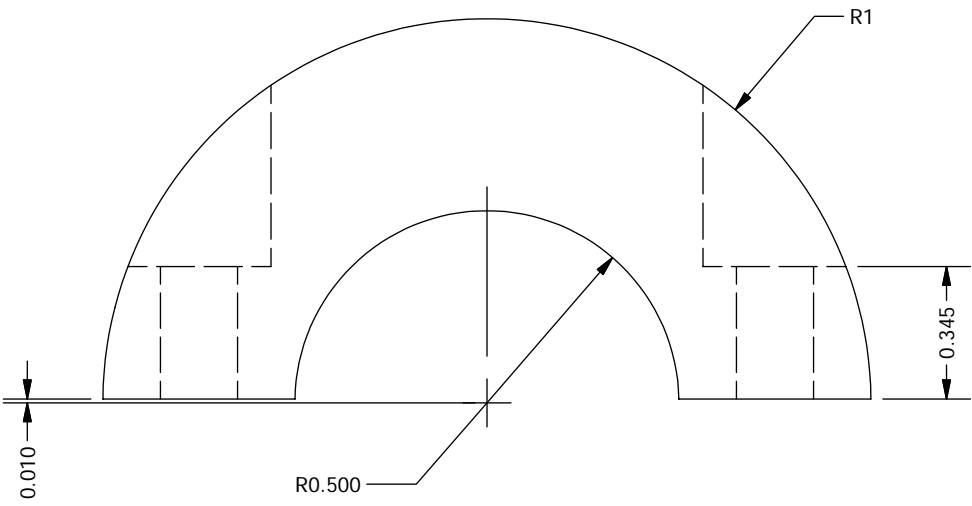


2

1



Ø0.201 THRU  
 □ Ø0.375



R0.500

1	1	PFS11043			
ITEM	QTY	DESCRIPTION			
Bill of Material					
<b>THE OBSERVATORIES          OF THE CARNEGIE INSTITUTION OF WASHINGTON</b> 813 Santa Barbara Street Pasadena, CA 91101					
MATERIAL	UNLESS OTHERWISE SPECIFIED FRACTIONAL    DECIMAL    ANGULAR +/- 1/32    .XX +/- 0.01    +/- 0.1 DEG				
EST WEIGHT	.XXX +/- 0.002 GOAL .XXX +/- 0.005 REQD BREAK SHARP EDGES    MACHINED SURFACES 125 ✓ ALL DIMENSIONS IN INCHES				
SCALE	2:1	<b>P lanet          F inder          S pectrograph</b> Vacuum Valve Clamp			
DWN	CRANE		7/6/2009		
APVD		SHEET	DRAWING NUMBER	SHT 1	REV
	BY	DATE	A	PFS11043	OF 1

2

1