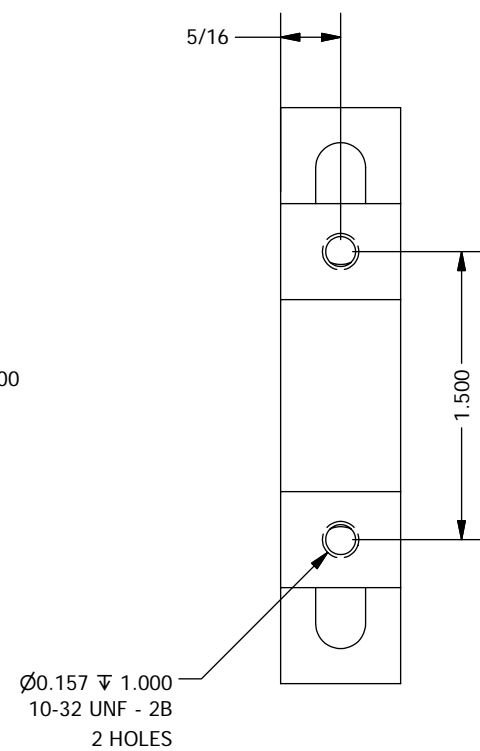
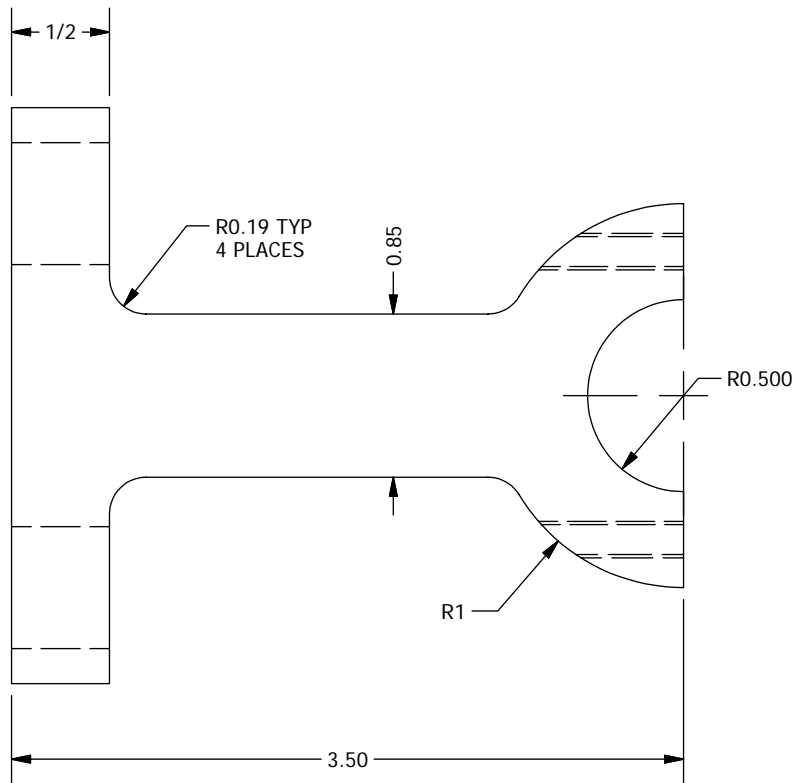
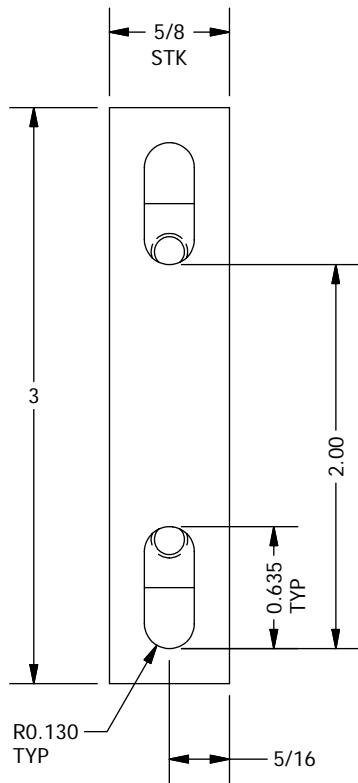


2

1

B

B



A

A

THE OBSERVATORIES
OF THE CARNEGIE INSTITUTION OF WASHINGTON
813 Santa Barbara Street
Pasadena, CA 91101

MATERIAL		Aluminum-6061			UNLESS OTHERWISE SPECIFIED FRACTIONAL .XX +/- 0.01 ANGULAR +/- 0.1 DEG +/- 1/32 .XXX +/- 0.002 GOAL .XXX +/- 0.005 REQD BREAK SHARP EDGES MACHINED SURFACES 125 ✓ ALL DIMENSIONS IN INCHES				
EST WEIGHT		4 oz			SCALE				
SCALE		1:1			P lanet F inder S pectrograph				
DWN		CRANE	7/6/2009		Vacuum Valve Mount				
APVD		BY	DATE		SHEET	DRAWING NUMBER		SHT 1	REV
A		A	A		A	PFS11042		OF 1	

1	1	PFS11042
ITEM	QTY	DESCRIPTION
Bill of Material		

2

1

