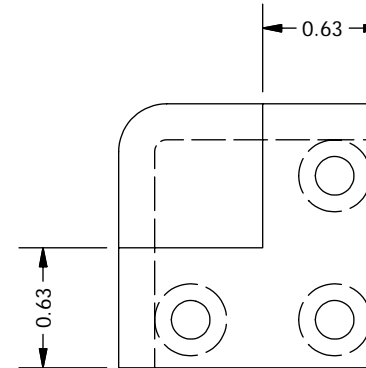
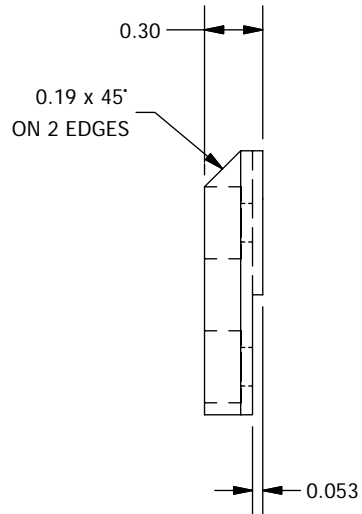
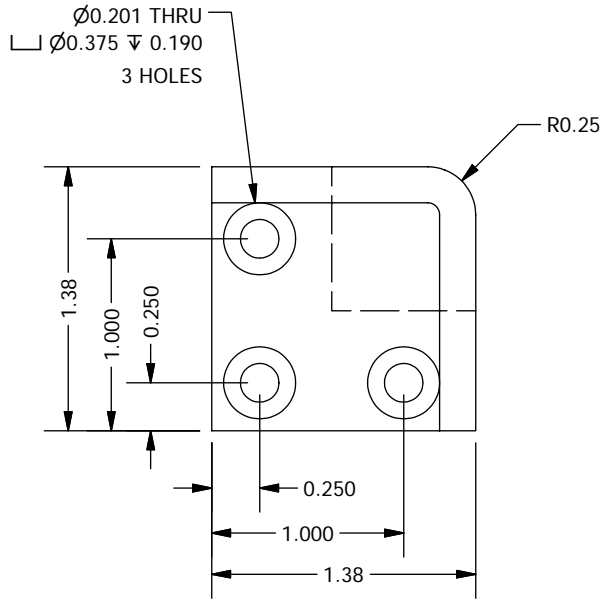


2

1



**NOTES**

- 1. Clips will mount in vacuum - machine all surfaces
- 2. Anodize black

1	2	PFS11024
ITEM	QTY	DESCRIPTION
Bill of Material		

<b>THE OBSERVATORIES OF THE CARNEGIE INSTITUTION OF WASHINGTON</b> 813 Santa Barbara Street Pasadena, CA 91101					
MATERIAL		UNLESS OTHERWISE SPECIFIED			
Aluminum-6061		FRACTIONAL	DECIMAL	ANGULAR	
		+/- 1/32	.XX +/- 0.01	+/- 0.1 DEG	
EST WEIGHT		.XXX +/- 0.002 GOAL			
0.6 oz		.XXX +/- 0.005 REQD			
		BREAK SHARP EDGES MACHINED SURFACES 125 $\sqrt$			
		ALL DIMENSIONS IN INCHES			
SCALE		P lanet F inder S pectrograph		Grating Retention Clip 1	
1:1					
DWN	CRANE	4/18/2006			
APVD			SHEET	DRAWING NUMBER	SHT 1
	BY	DATE	A	PFS11024	OF 1
					REV

2

1