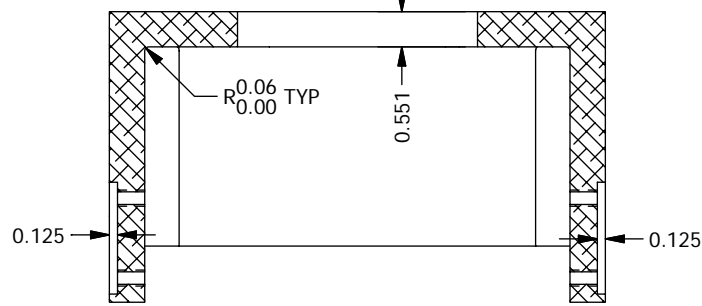
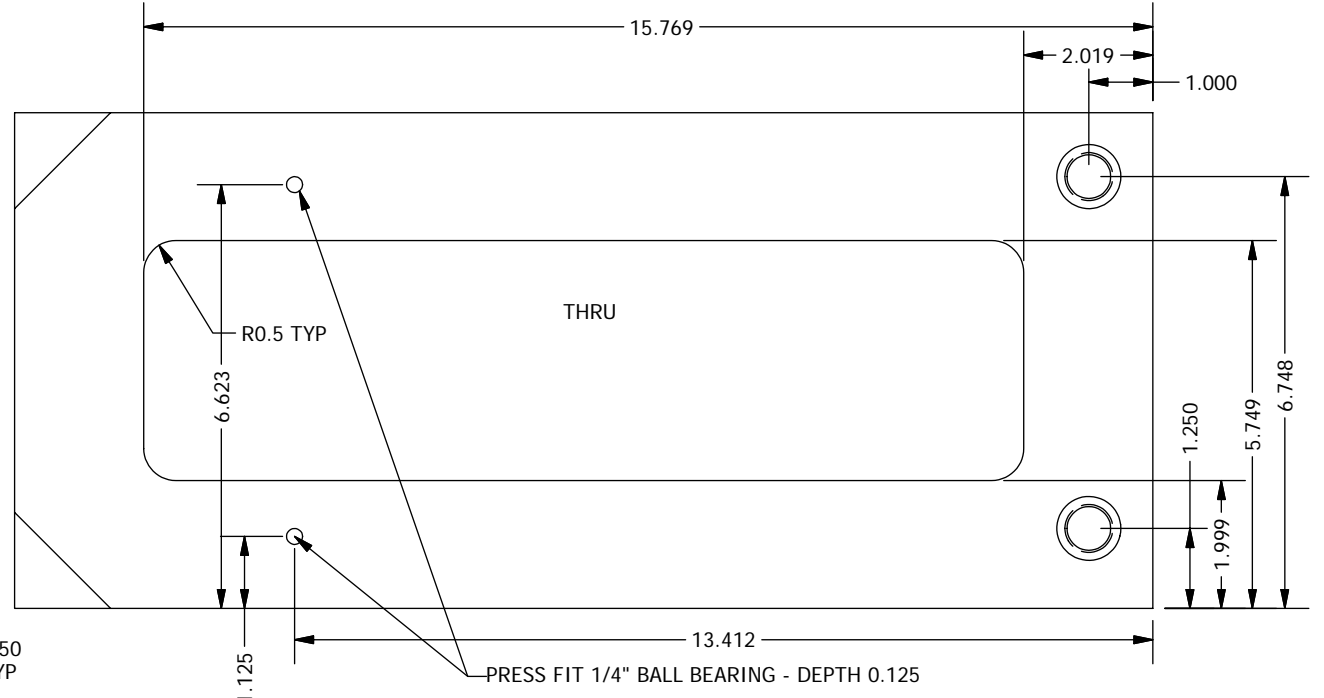
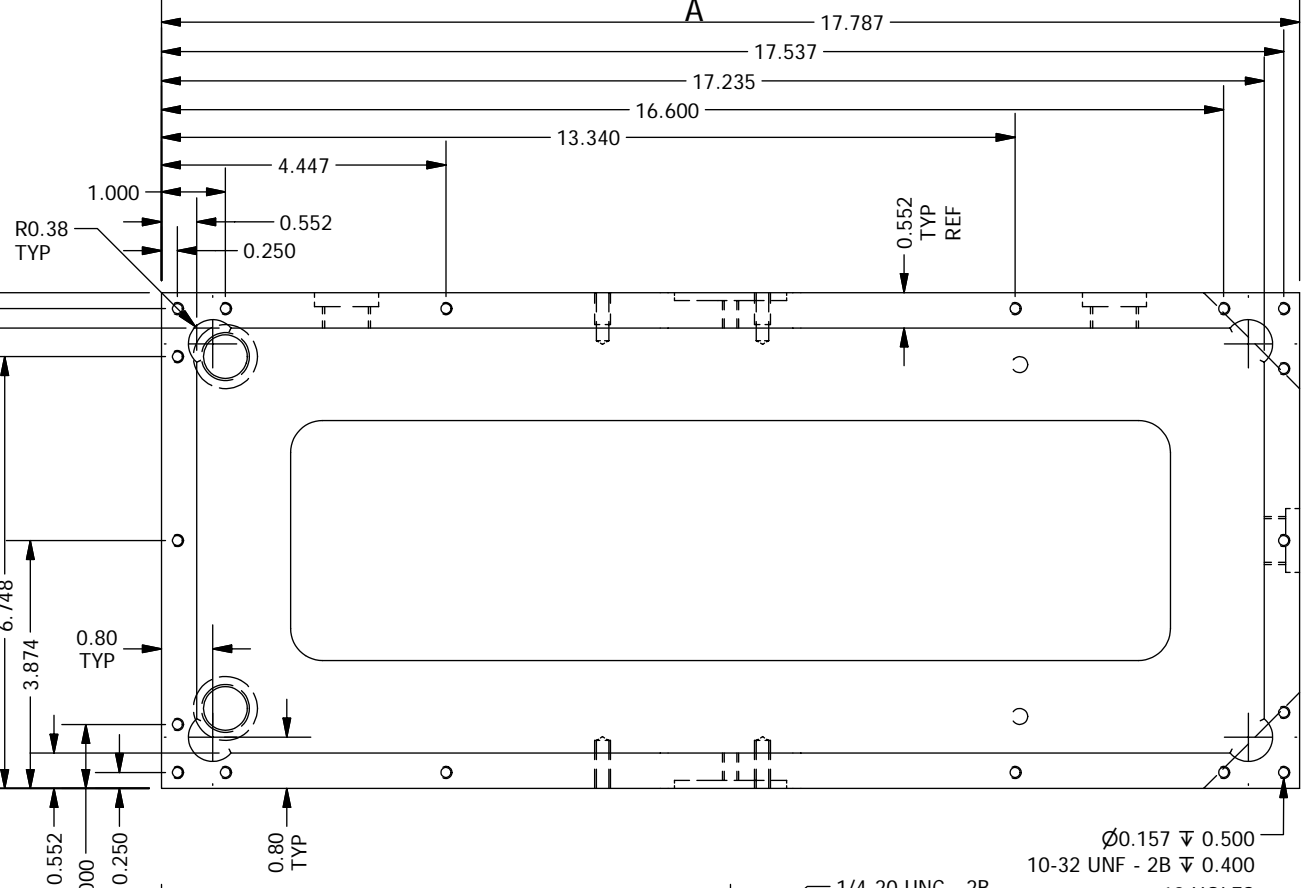
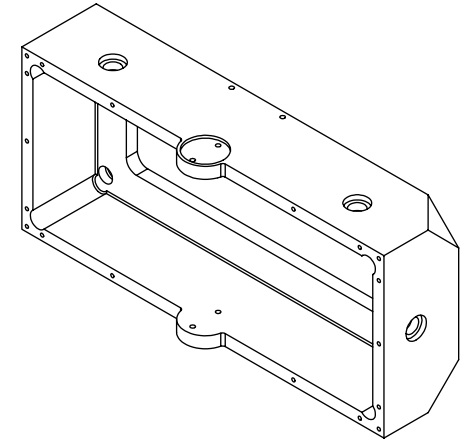


R0.125 TYP
 Ø1.751 TYP
 R1.000 TYP



SECTION A-A
 SCALE 1 / 3

SCALE 0.15 : 1



NOTES

- 1. Anodize black

Corner chamfer is 1.50 width in projection. Face-on it is an equilateral triangle with each side 2.12.

ITEM	QTY	DESCRIPTION
1	1	PFS11023
Bill of Material		

THE OBSERVATORIES OF THE CARNEGIE INSTITUTION OF WASHINGTON 813 Santa Barbara Street Pasadena, CA 91101					
MATERIAL		UNLESS OTHERWISE SPECIFIED FRACTIONAL DECIMAL ANGULAR +/- 1/32 .XX +/- 0.01 +/- 0.1 DEG			
EST WEIGHT		.XXX +/- 0.002 GOAL .XXX +/- 0.005 REQD BREAK SHARP EDGES MACHINED SURFACES 125			
SCALE		P lanet F nder S pectrograph		Grating Cell	
DWN	CRANE	3/25/2009		SHEET	REV
APVD	BY	DATE	B	DRAWING NUMBER	SHT 1 OF 1
			PFS11023		4