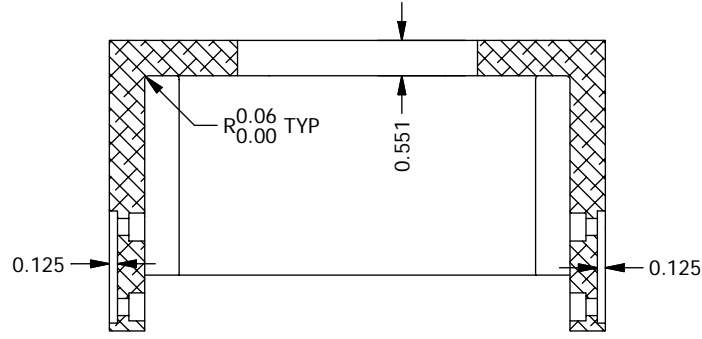
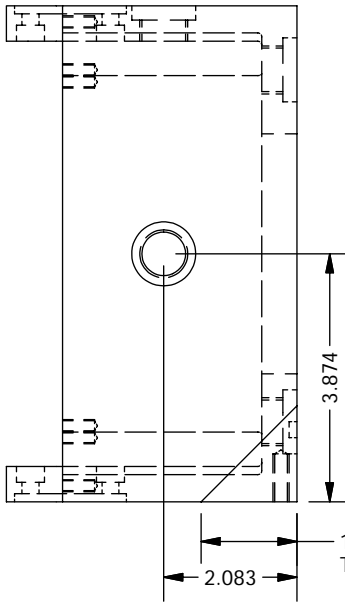
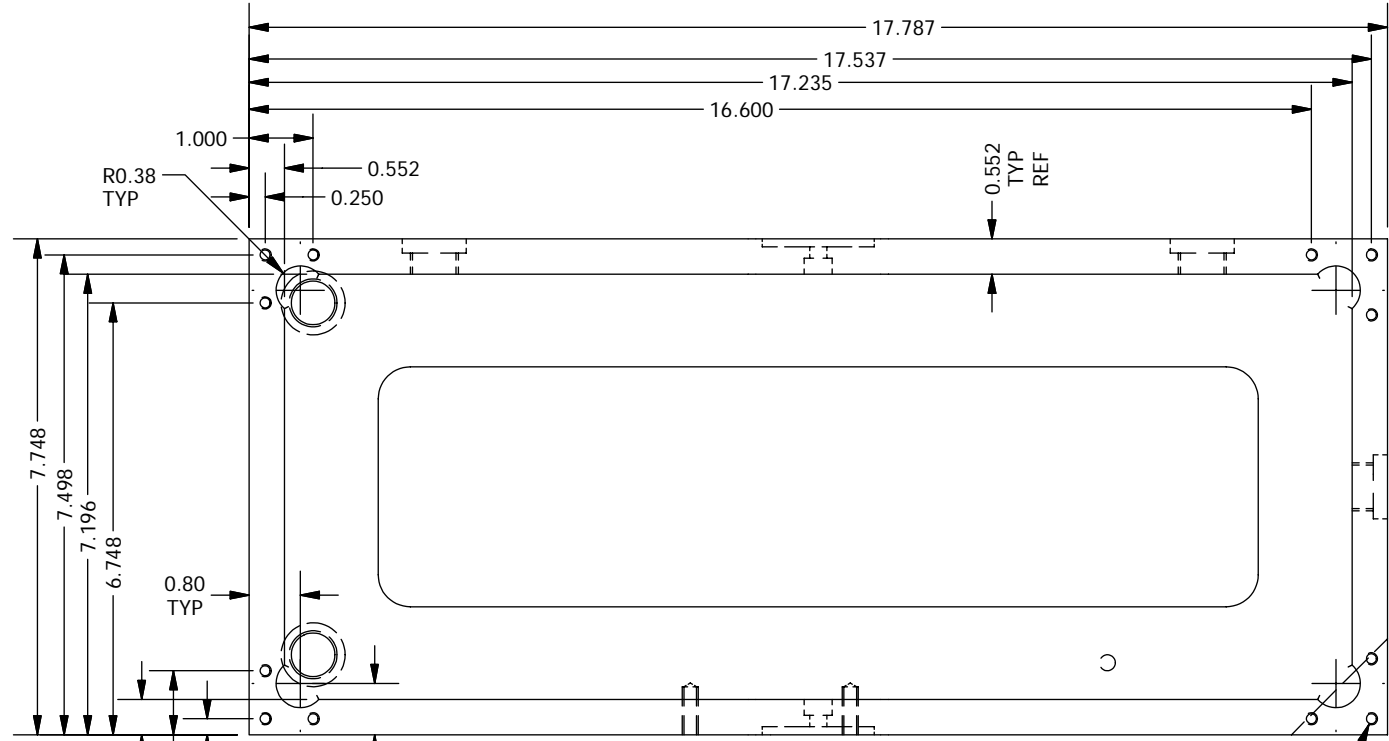
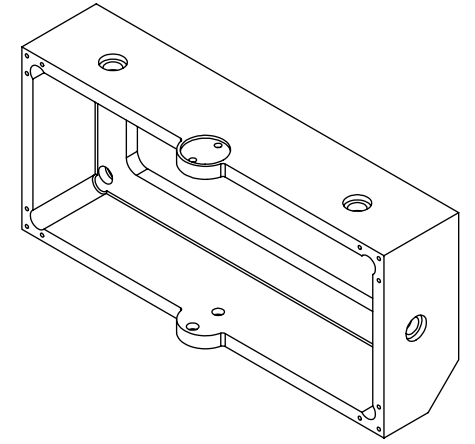


$\varnothing 1.000 \pm 0.220$  (5 PLACES)  
 $3/4-16$  UNF - 2B THRU - 5 PLACES



SECTION A-A  
SCALE 1 / 3

SCALE 0.15 : 1



NOTES

- 1. Anodize black

Corner chamfer is 1.50 width in projection. Face-on it is an equilateral triangle with each side 2.12.

<b>THE OBSERVATORIES OF THE CARNEGIE INSTITUTION OF WASHINGTON</b> 813 Santa Barbara Street Pasadena, CA 91101					
MATERIAL		ALUMINUM-6061 UNLESS OTHERWISE SPECIFIED FRACTIONAL DECIMAL ANGULAR +/- 1/32 .XX +/- 0.01 +/- 0.1 DEG			
EST WEIGHT		12.6 lb .XXX +/- 0.002 GOAL .XXX +/- 0.005 REQD BREAK SHARP EDGES MACHINED SURFACES 125°			
SCALE		1:3		<b>P lanet F nder S pectrograph</b> Grating Cell	
DWN	CRANE	6/5/2006			
APVD		BY		DATE	
SHEET		DRAWING NUMBER		SHT 1 OF 1	
B		PFS11023		REV 1	

1	1	PFS11023
ITEM	QTY	DESCRIPTION
Bill of Material		