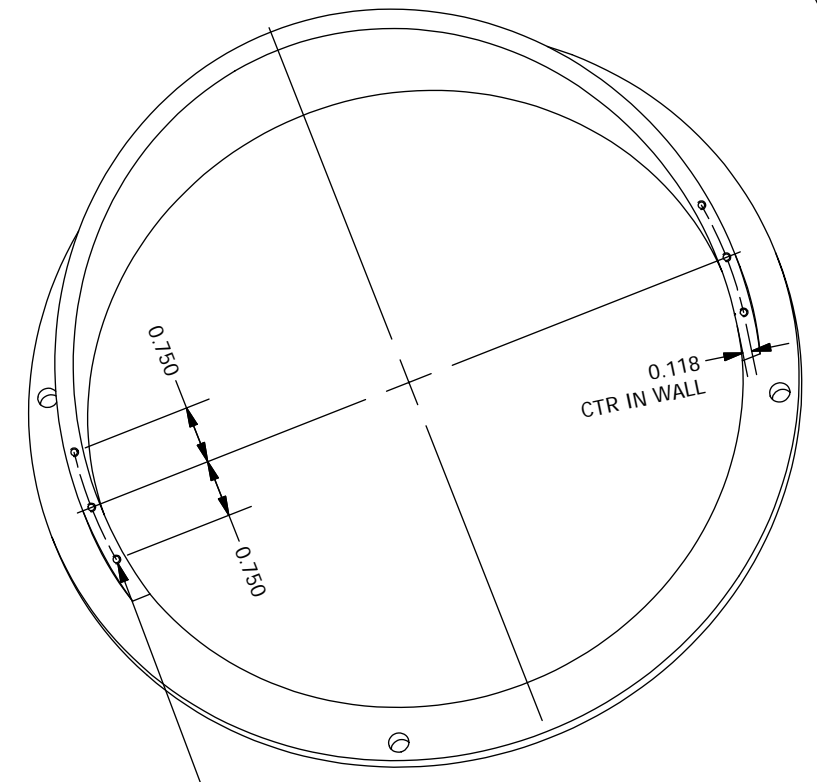
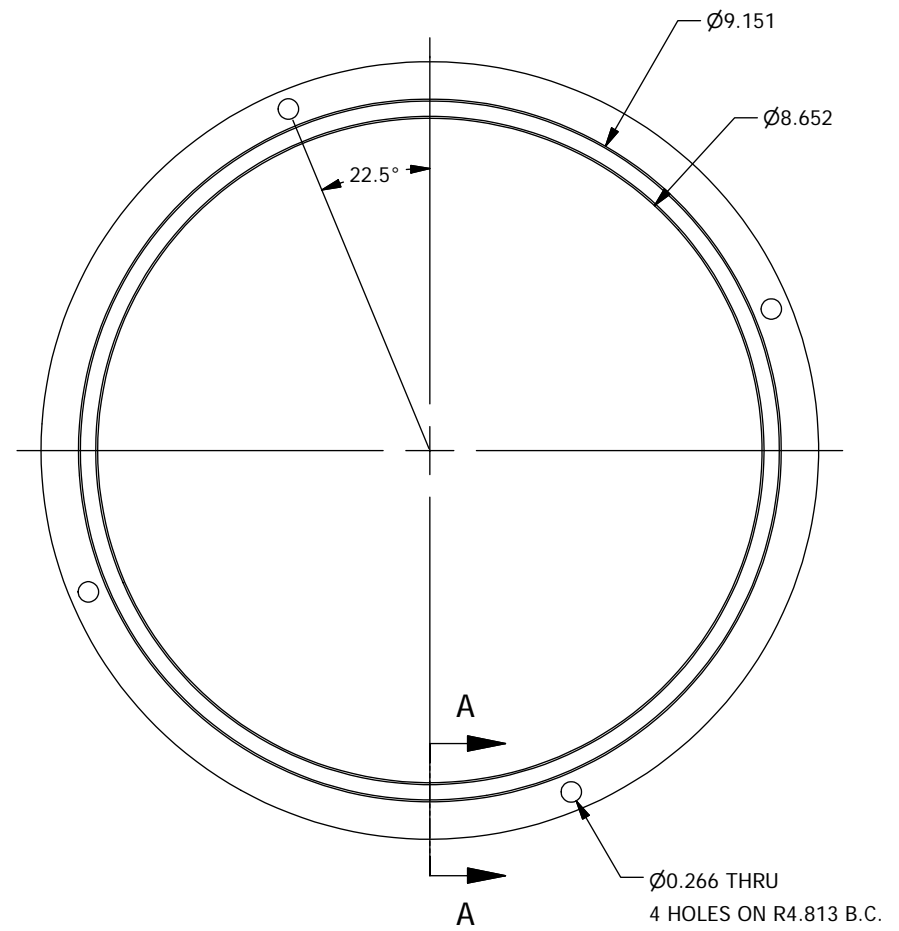
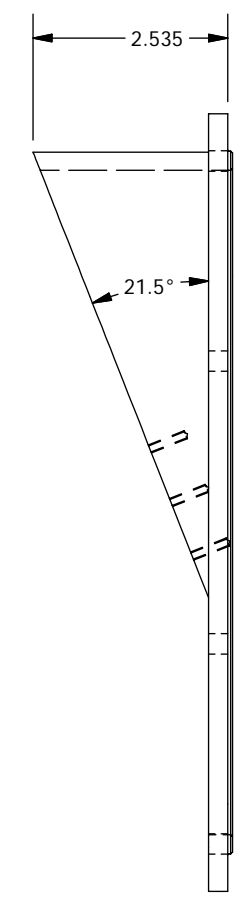
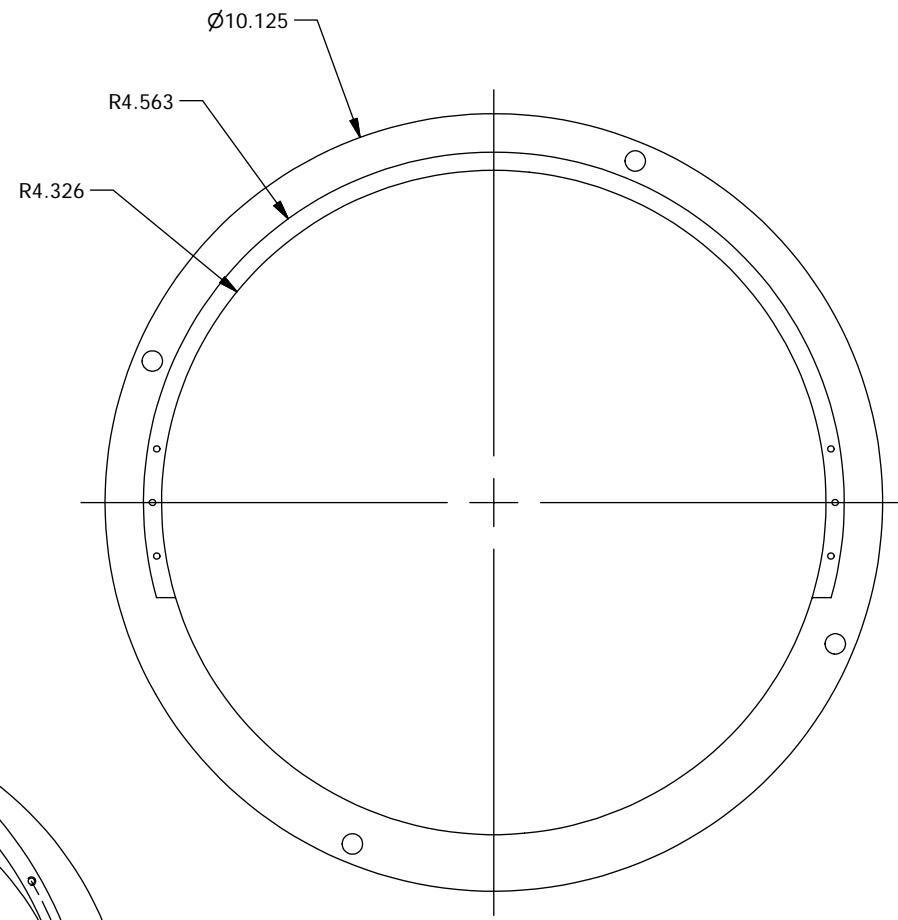
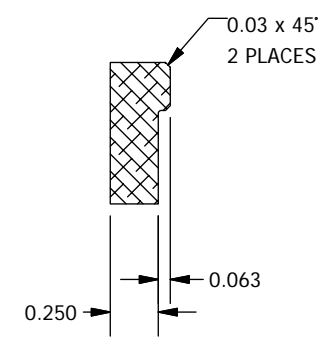


NOTES

1. Anodize black



4-40 UNC - 2B
 ▽ 0.500
 6 PLACES
 OR TRANSFER FROM PART PFS11021



SECTION A-A
 SCALE 1 : 1

1	1	PFS11019
ITEM	QTY	DESCRIPTION
Bill of Material		
THE OBSERVATORIES OF THE CARNEGIE INSTITUTION OF WASHINGTON 813 Santa Barbara Street Pasadena, CA 91101		
MATERIAL	UNLESS OTHERWISE SPECIFIED FRACTIONAL DECIMAL ANGULAR +/- 1/32 .XX +/- 0.01 +/- 0.1 DEG .XXX +/- 0.002 GOAL .XXX +/- 0.005 REQD BREAK SHARP EDGES MACHINED SURFACES 125 ✓ ALL DIMENSIONS IN INCHES	
EST WEIGHT	1.1 lb	
SCALE	4:10	
DWN	CRANE	5/5/2006
APVD	BY	DATE
SHEET B		DRAWING NUMBER PFS11019
SHT 1 OF 1		REV

P lanet
F nder
S pectrograph
 Prism PFSP2 Cell