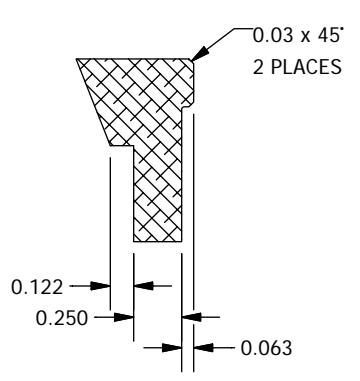
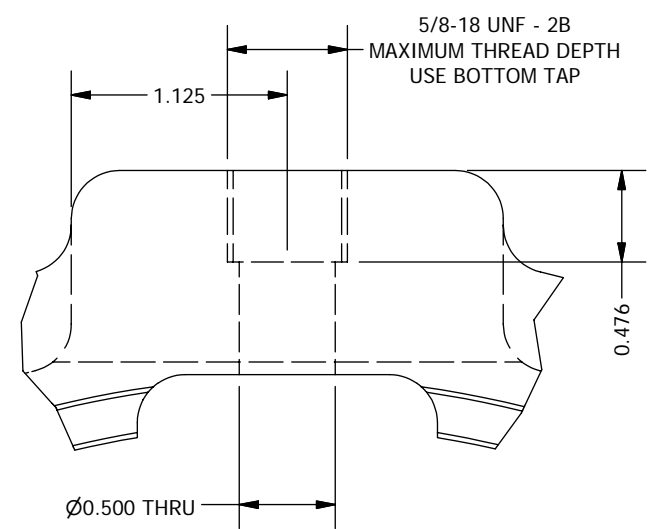
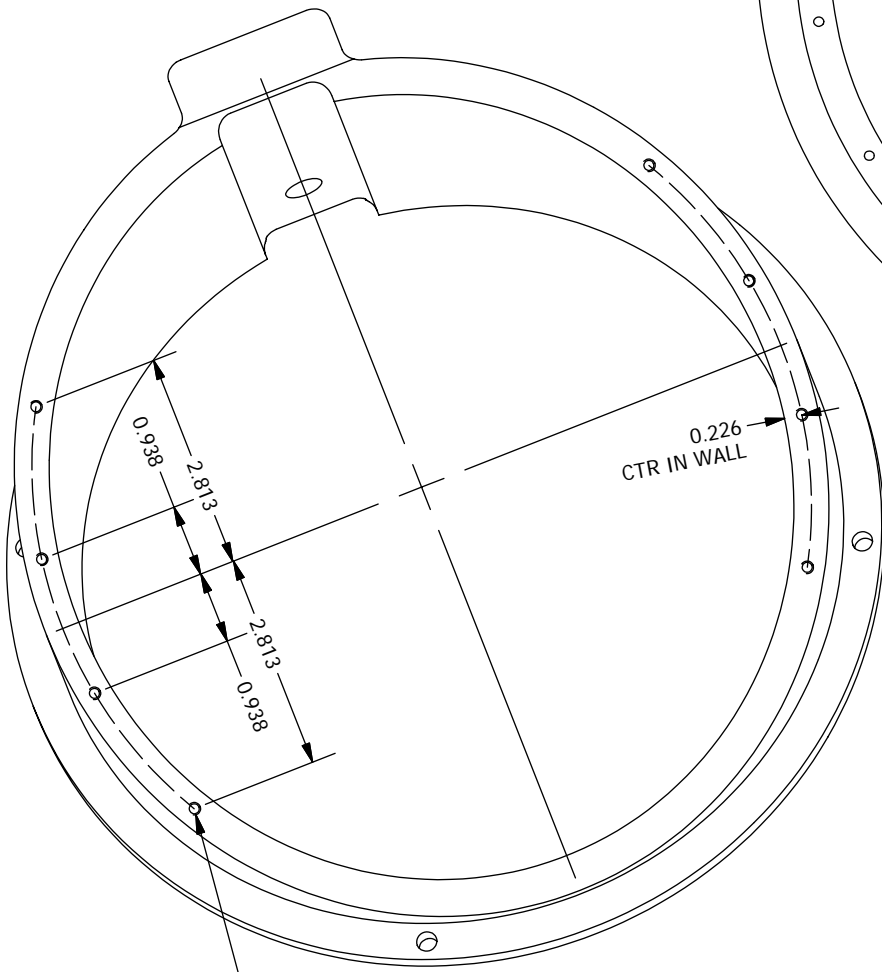
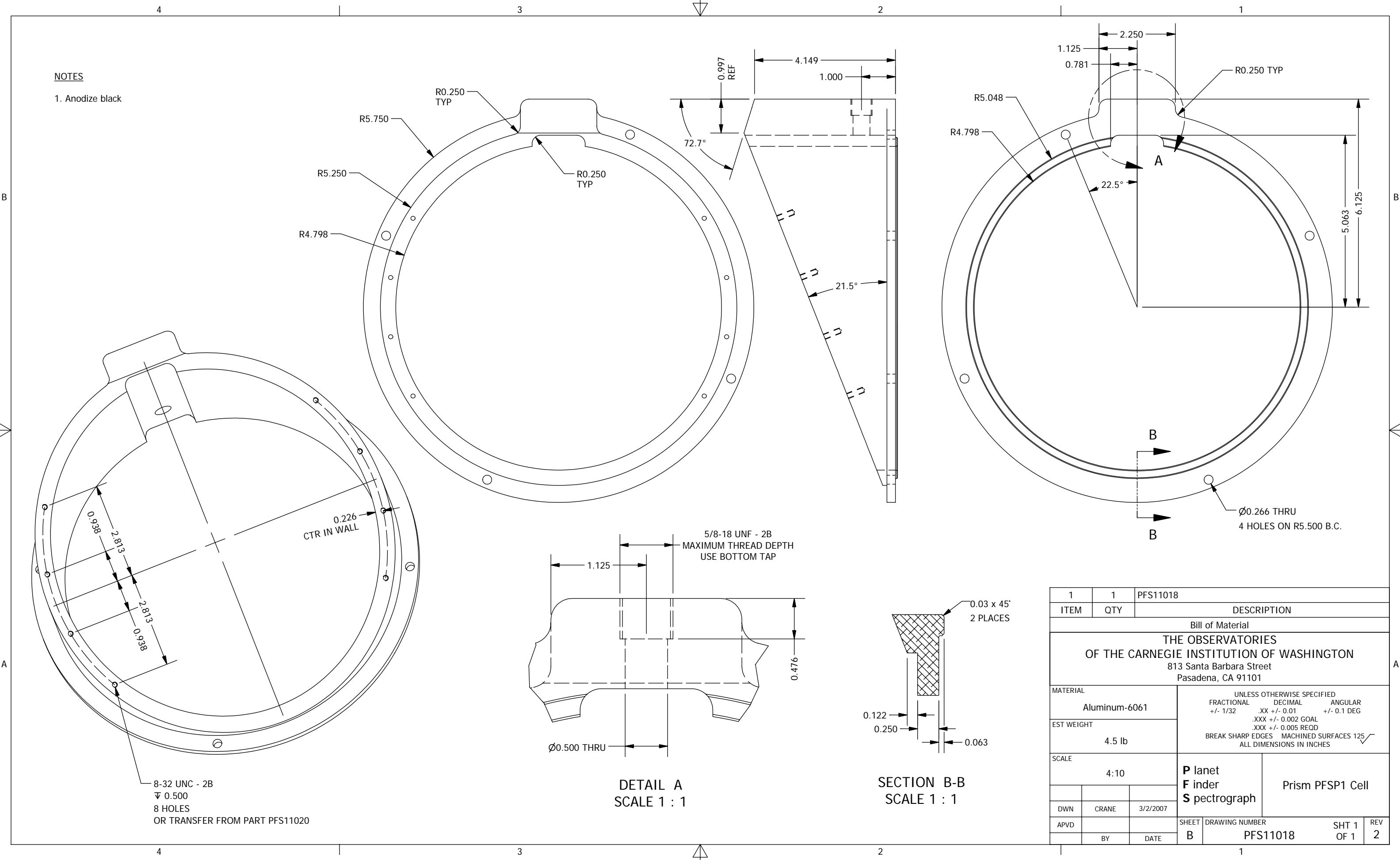


NOTES

1. Anodize black



8-32 UNC - 2B
 ∇ 0.500
 8 HOLES
 OR TRANSFER FROM PART PFS11020

DETAIL A
 SCALE 1 : 1

SECTION B-B
 SCALE 1 : 1

1	1	PFS11018
ITEM	QTY	DESCRIPTION
Bill of Material		
THE OBSERVATORIES OF THE CARNEGIE INSTITUTION OF WASHINGTON 813 Santa Barbara Street Pasadena, CA 91101		
MATERIAL	ALUMINUM-6061 <small>UNLESS OTHERWISE SPECIFIED FRACTIONAL DECIMAL ANGULAR +/- 1/32 .XX +/- 0.01 +/- 0.1 DEG .XXX +/- 0.002 GOAL .XXX +/- 0.005 REQD BREAK SHARP EDGES MACHINED SURFACES 125 ALL DIMENSIONS IN INCHES</small>	
EST WEIGHT	4.5 lb	
SCALE	4:10	
P lanet F nder S pectrograph		Prism PFSP1 Cell
DWN	CRANE	3/2/2007
APVD	BY	DATE
SHEET	DRAWING NUMBER	SHT 1 OF 1
B	PFS11018	REV 2