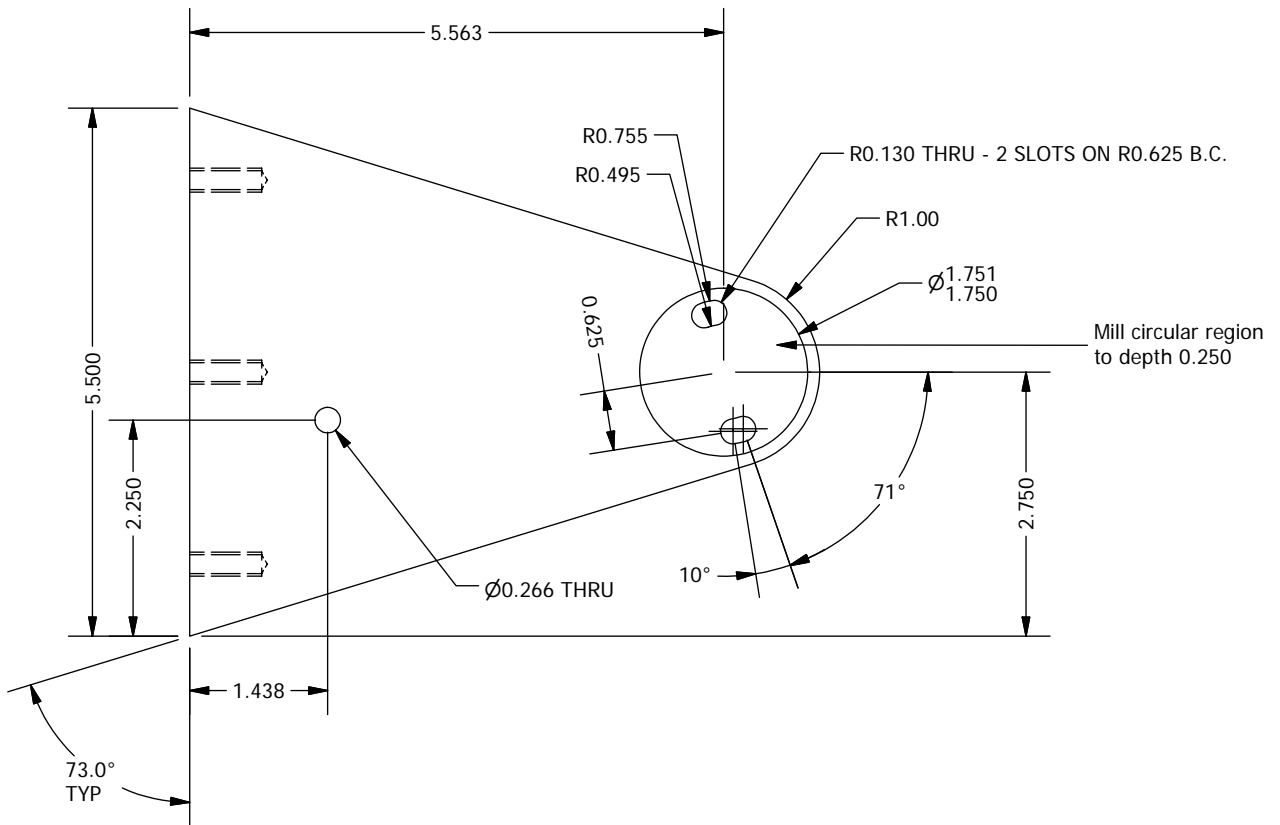
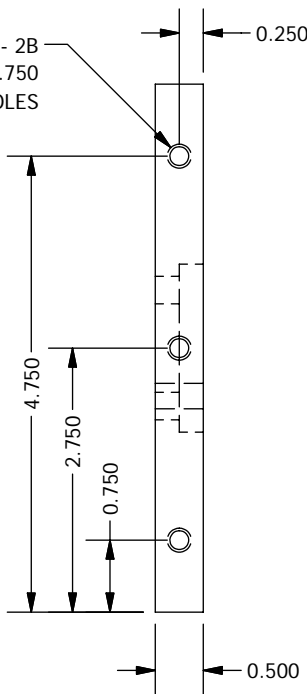


1/4-20 UNC - 2B  
 ▽ 0.750  
 3 HOLES



**NOTES**

- 1. Anodize black

1	1	PFS11013
ITEM	QTY	DESCRIPTION
Bill of Material		

THE OBSERVATORIES  
 OF THE CARNEGIE INSTITUTION OF WASHINGTON  
 813 Santa Barbara Street  
 Pasadena, CA 91101

MATERIAL		UNLESS OTHERWISE SPECIFIED		
Aluminum-6061		FRACTIONAL	DECIMAL	ANGULAR
		+/- 1/32	.XX +/- 0.01	+/- 0.1 DEG
EST WEIGHT		.XXX +/- 0.002 GOAL		
1.0 lb		.XXX +/- 0.005 REQD		
SCALE		BREAK SHARP EDGES MACHINED SURFACES 125		
1:2		ALL DIMENSIONS IN INCHES		
		P lanet F inder S pectrograph		Grating Mount Altitude Arm 1
DWN	CRANE	4/18/2006		
APVD			SHEET	DRAWING NUMBER
	BY	DATE	A	PFS11013
			SHT 1	REV
			OF 1	