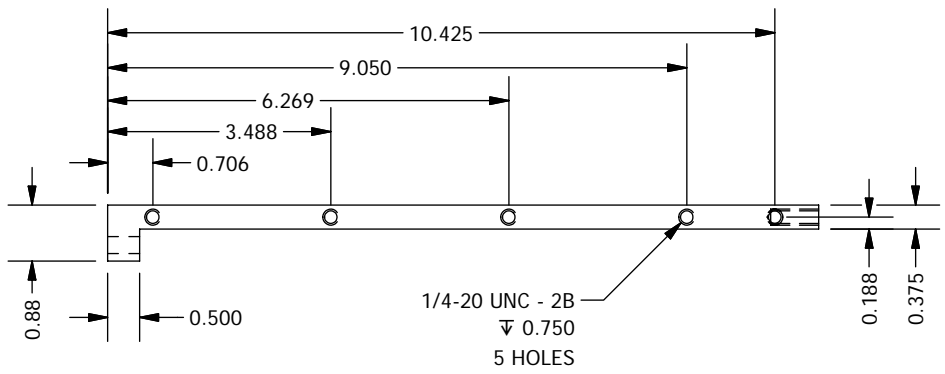
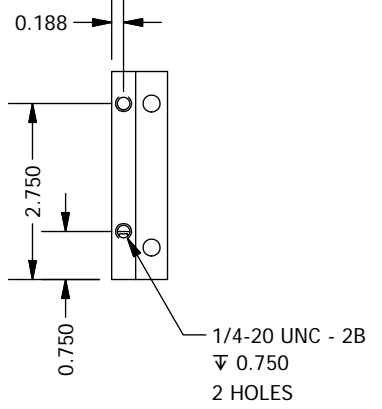
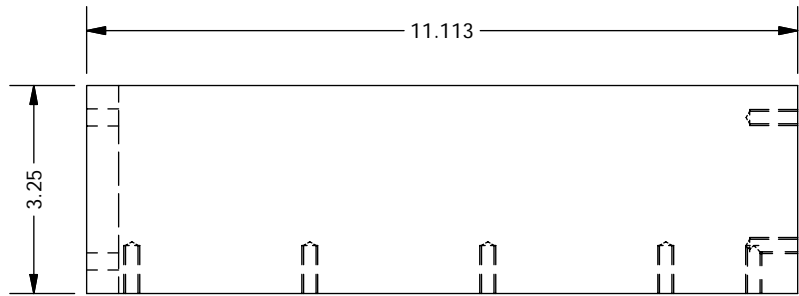
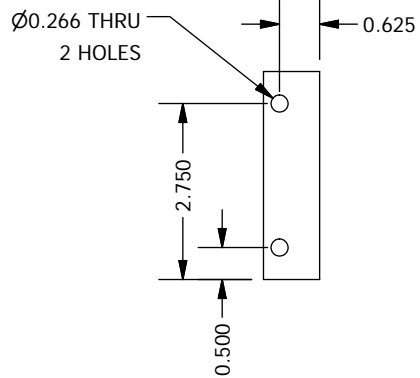


2

1



**NOTES**

- 1. Anodize black

1	1	PFS11009
ITEM	QTY	DESCRIPTION
Bill of Material		

<b>THE OBSERVATORIES OF THE CARNEGIE INSTITUTION OF WASHINGTON</b> 813 Santa Barbara Street Pasadena, CA 91101			
<b>MATERIAL</b> Aluminum-6061		UNLESS OTHERWISE SPECIFIED FRACTIONAL    DECIMAL    ANGULAR +/- 1/32    .XX +/- 0.01    +/- 0.1 DEG .XXX +/- 0.002 GOAL .XXX +/- 0.005 REQD BREAK SHARP EDGES    MACHINED SURFACES 125 ✓ ALL DIMENSIONS IN INCHES	
<b>EST WEIGHT</b> 1.4 lb		<b>SCALE</b> 1:3	
		<b>P lanet F nder S pectrograph</b>	<b>Grating Mount Brace 2</b>
DWN	CRANE	5/4/2006	
APVD			
	BY	DATE	
SHEET	DRAWING NUMBER		SHT 1
A	PFS11009		OF 1
			REV

2

1