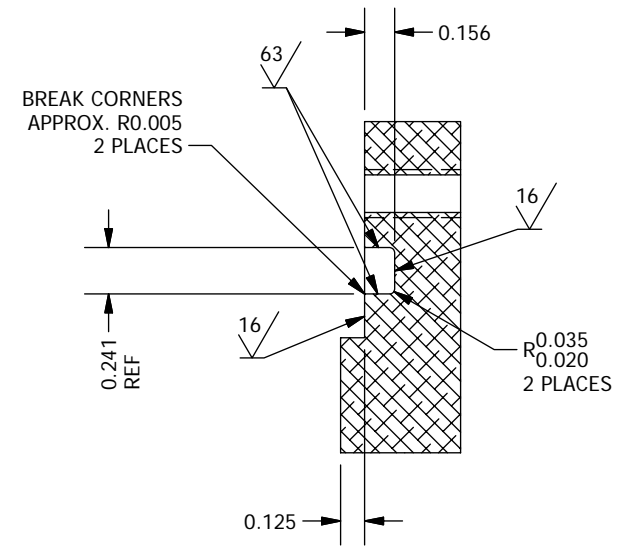
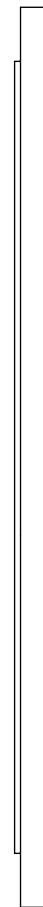


NOTES

- 1. Anodize black

ITEM	QTY	DESCRIPTION
1	1	PFS11006
Bill of Material		



SECTION A-A
SCALE 1 : 1

THE OBSERVATORIES
 OF THE CARNEGIE INSTITUTION OF WASHINGTON
 813 Santa Barbara Street
 Pasadena, CA 91101

MATERIAL Aluminum-6061			UNLESS OTHERWISE SPECIFIED FRACTIONAL DECIMAL ANGULAR $\pm 1/32$.XX ± 0.01 ± 0.1 DEG .XXX ± 0.002 GOAL .XXX ± 0.005 REQD BREAK SHARP EDGES MACHINED SURFACES 125 $\sqrt{\text{V}}$ ALL DIMENSIONS IN INCHES			
EST WEIGHT 15.9 lb			P lanet F inder S pectrograph			
SCALE 1:4						
Bill of Material			Prism/Grating Assembly Vacuum Cover			
DWN	CRANE	5/4/2006	SHEET	DRAWING NUMBER	SHT 1	REV
APVD	BY	DATE	A	PFS11006	OF 1	