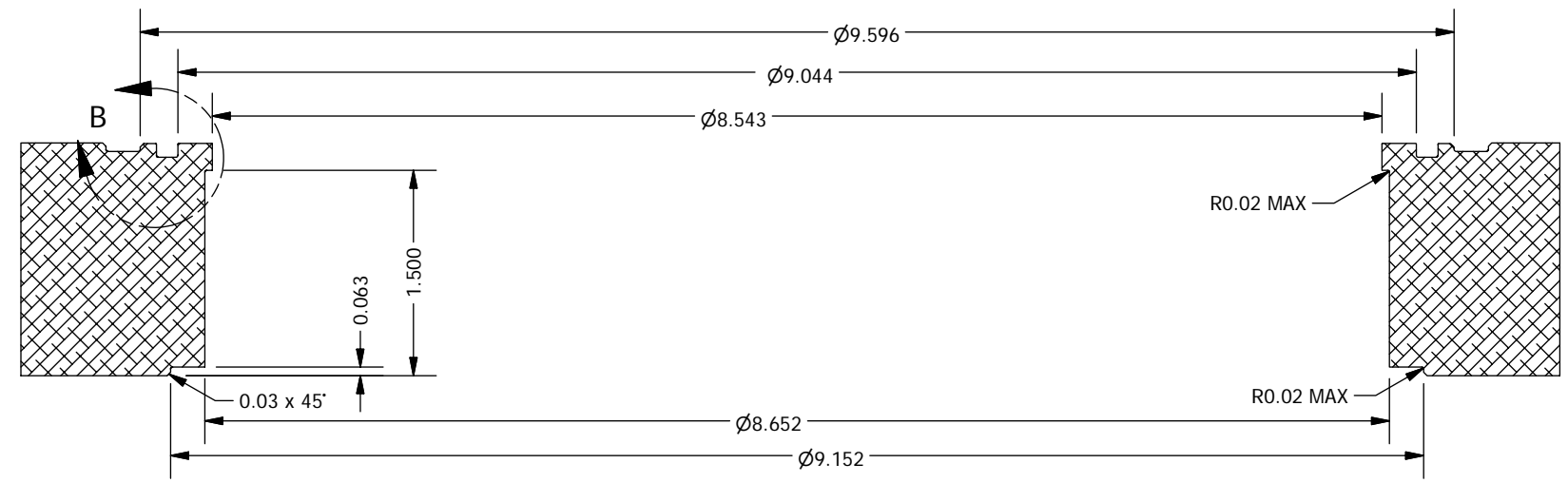


**DETAIL B**  
 SCALE 3 : 1

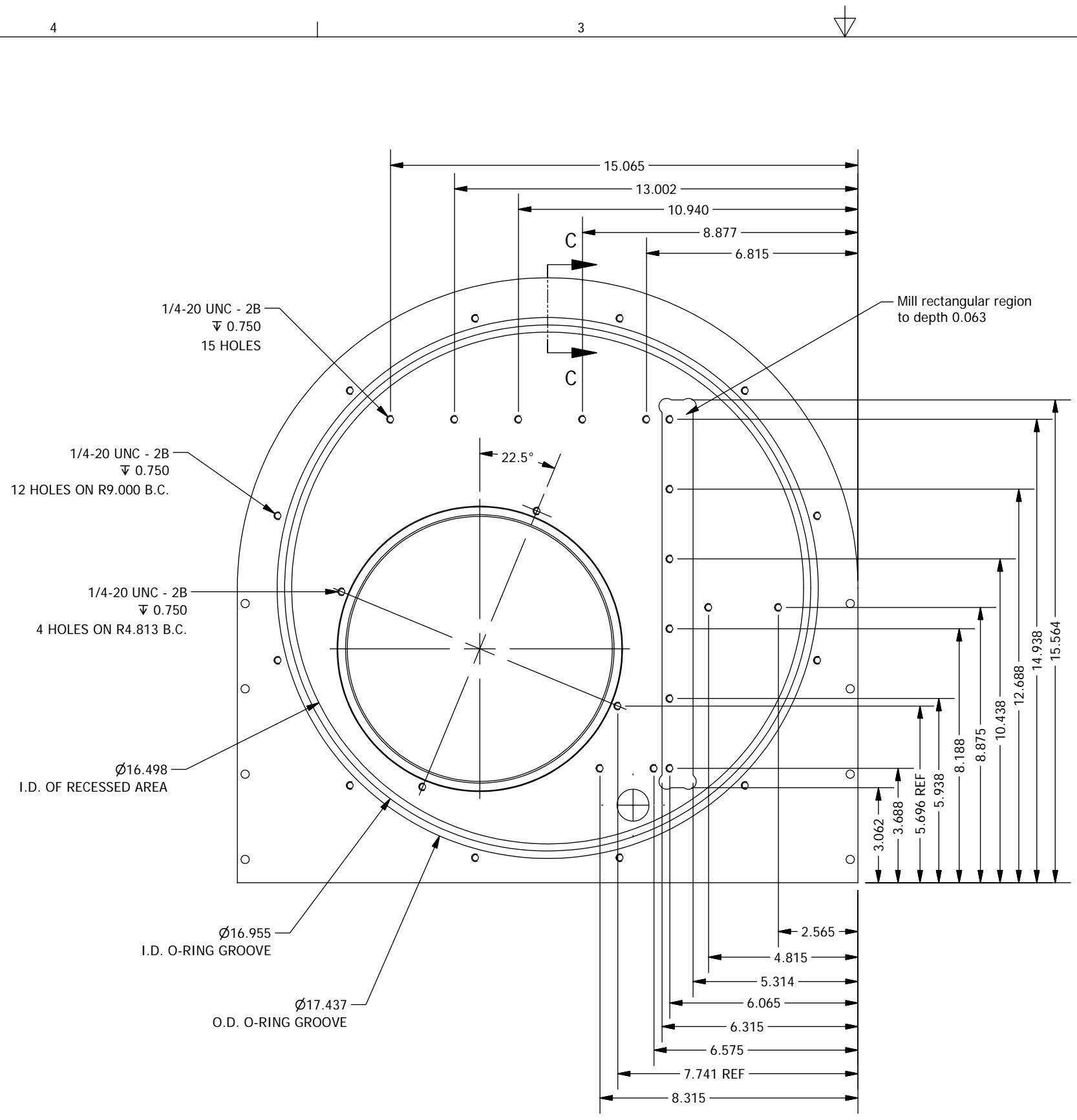
**NOTES**

- 1. Anodize black

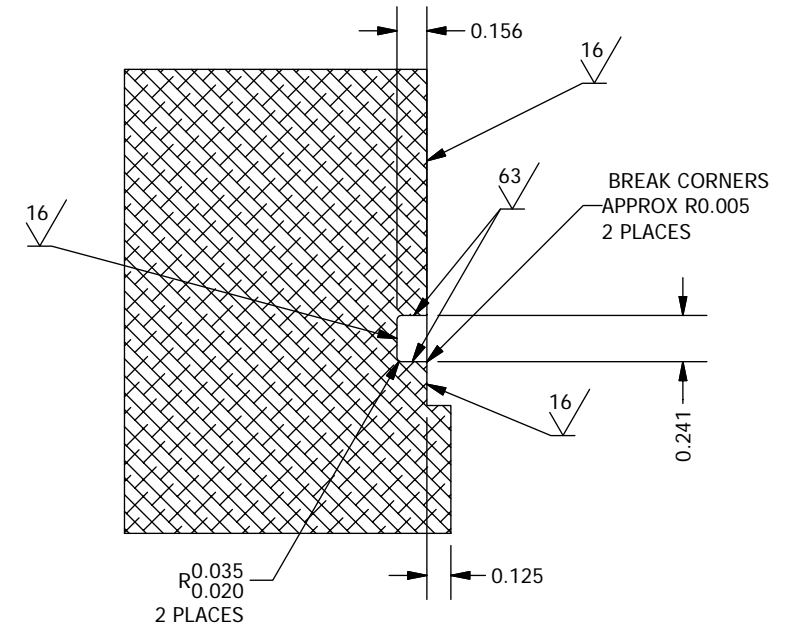


**SECTION A-A**  
 SCALE 3 / 4

1	1	PFS11002
ITEM	QTY	DESCRIPTION
Bill of Material		
<b>THE OBSERVATORIES          OF THE CARNEGIE INSTITUTION OF WASHINGTON</b> 813 Santa Barbara Street Pasadena, CA 91101		
MATERIAL	ALUMINUM-6061 UNLESS OTHERWISE SPECIFIED FRACTIONAL DECIMAL ANGULAR +/- 1/32 .XX +/- 0.01 +/- 0.1 DEG .XXX +/- 0.002 GOAL .XXX +/- 0.005 REOD BREAK SHARP EDGES MACHINED SURFACES 125 ✓ ALL DIMENSIONS IN INCHES	
EST WEIGHT	45.8 lb	
SCALE	1:4	
<b>P lanet          F nder          S pectrograph</b>		<b>Prism/Grating          Assembly Front Plate</b>
DWN	CRANE	11/11/2008
APVD	BY	DATE
SHEET	DRAWING NUMBER	SHT 1 OF 2
B	PFS11002	REV 1



BACK VIEW



SECTION C-C  
SCALE 1 : 1

<b>THE OBSERVATORIES OF THE CARNEGIE INSTITUTION OF WASHINGTON</b> 813 Santa Barbara Street Pasadena, CA 91101				
MATERIAL		UNLESS OTHERWISE SPECIFIED FRACTIONAL DECIMAL ANGULAR +/- 1/32 .XX +/- 0.01 +/- 0.1 DEG .XXX +/- 0.002 GOAL .XXX +/- 0.005 REQD BREAK SHARP EDGES MACHINED SURFACES 125°		
EST WEIGHT		45.8 lb		
SCALE		<b>P lanet F nder S pectrograph</b>		Prism/Grating Assembly Front Plate
DWN	CRANE	11/11/2008		
APVD	BY	DATE	SHEET	REV
			B	1
			DRAWING NUMBER	SHT 2
			PFS11002	OF 2