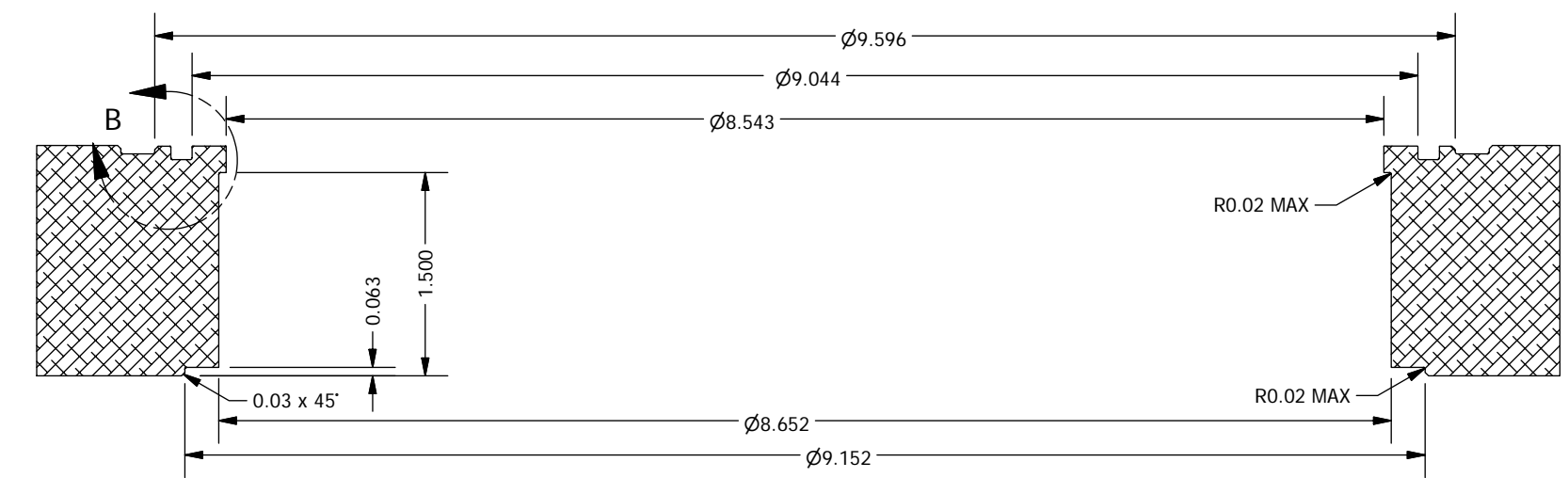


DETAIL B
SCALE 3 : 1

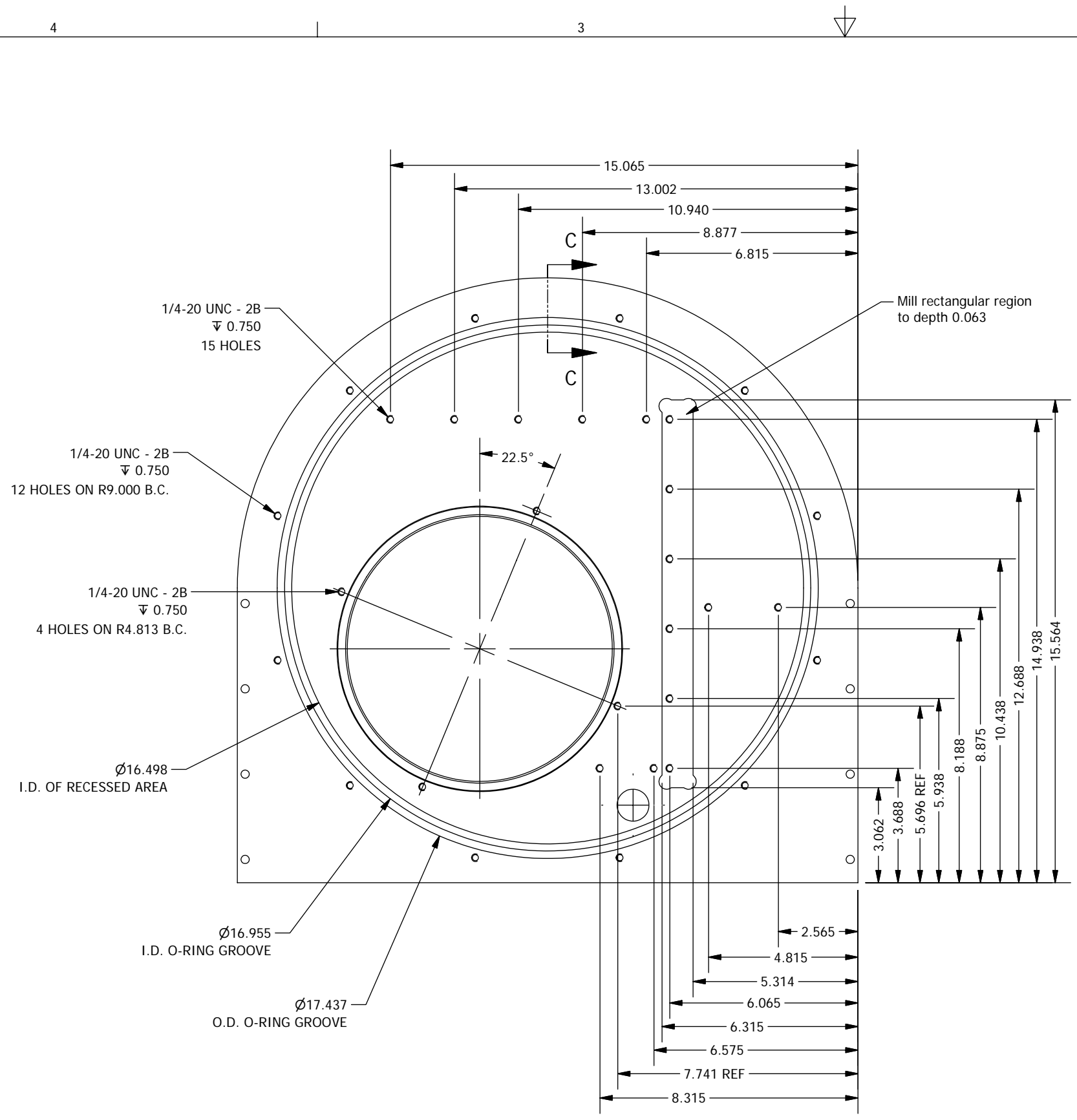
NOTES

- 1. Anodize black

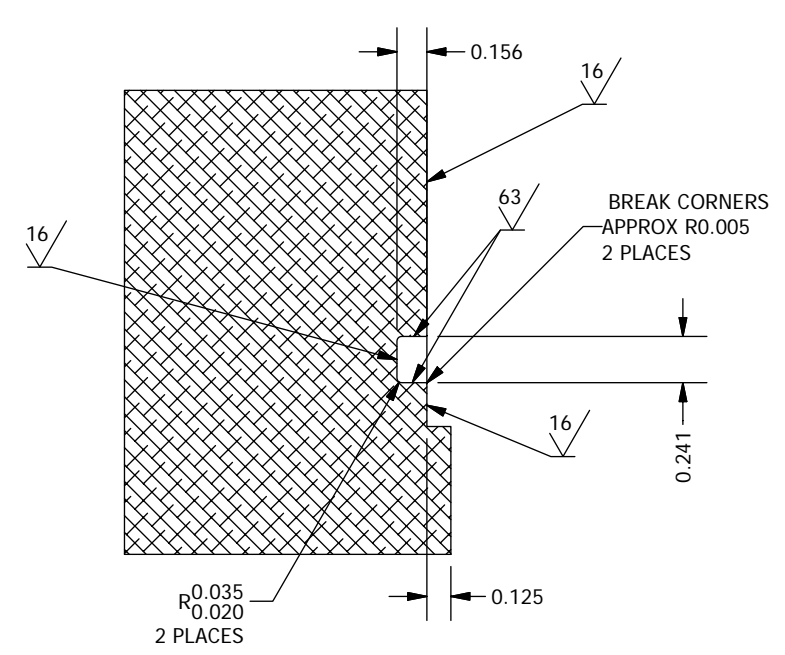


SECTION A-A
SCALE 3 / 4

1	1	PFS11002
ITEM	QTY	DESCRIPTION
Bill of Material		
THE OBSERVATORIES OF THE CARNEGIE INSTITUTION OF WASHINGTON 813 Santa Barbara Street Pasadena, CA 91101		
MATERIAL	ALUMINUM-6061 UNLESS OTHERWISE SPECIFIED FRACTIONAL DECIMAL ANGULAR +/- 1/32 .XX +/- 0.01 +/- 0.1 DEG .XXX +/- 0.002 GOAL .XXX +/- 0.005 REQD BREAK SHARP EDGES MACHINED SURFACES 125 ALL DIMENSIONS IN INCHES	
EST WEIGHT	45.8 lb	
SCALE	1:4	
P lanet F nder S pectrograph		Prism/Grating Assembly Front Plate
DWN	CRANE	5/4/2006
APVD	BY	DATE
SHEET	DRAWING NUMBER	SHT 1 OF 2
B	PFS110002	REV



BACK VIEW



SECTION C-C
SCALE 1 : 1

THE OBSERVATORIES OF THE CARNEGIE INSTITUTION OF WASHINGTON 813 Santa Barbara Street Pasadena, CA 91101				
MATERIAL		UNLESS OTHERWISE SPECIFIED FRACTIONAL DECIMAL ANGULAR +/- 1/32 .XX +/- 0.01 +/- 0.1 DEG .XXX +/- 0.002 GOAL .XXX +/- 0.005 REQD BREAK SHARP EDGES MACHINED SURFACES 125°		
EST WEIGHT		45.8 lb		
SCALE		1:4		
		P lanet F nder S pectrograph		Prism/Grating Assembly Front Plate
DWN	CRANE	5/4/2006		
APVD	BY	DATE	SHEET	REV
			B	1
			DRAWING NUMBER	SHT 2 OF 2
			PFS110002	